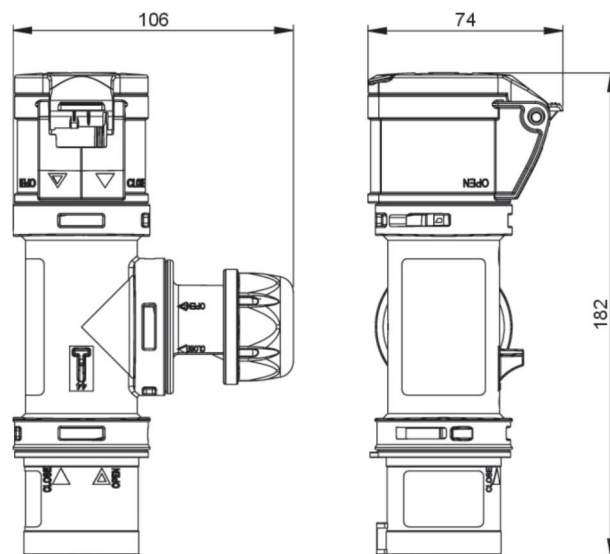


article#	<b>94325000</b>
article description	<b>T-Connect 1x16/3 PL16/3 6hcableglandIP44</b>
description long	T-Connect 1x16/3 PL16/3 6hcableglandIP44 housing material: PC/ABS rated current: 16A number of poles: 3 (2P+PE) clock-position: 6h rated voltage/frequency: 200-250V~ / 50+60Hz contacts: brass Entry: 1x CEE-plug 16A 3p 6h Outlet: 1x CEE-socket 16A 3p 6h, 1x cable gland, , terminal 3x2,5mm <sup>2</sup> ready wired to terminal color: black IP protection class: IP44
GTIN (EAN)	9003399722684
country of origin	AT
customs number	85366990
net weight	0.271 kg
packaging quantity	10
minimum order quantity	10

ETIM 9.0	EC000379
CEE socket outlet 16 A	1x16A3p230V
Other fixtures and/or empty locations	1
Protection	None
Material housing	Plastic
Contact material	CuZn
Power supply/connection possibility	1 cable (branch line)
Number of poles mains connection	3
Diameter cable entry	Other
Handling	Portable
Degree of protection (IP)	IP44
Colour	Black



<https://www.pcelectric.at/shop/en/?func=detail&artnr=94325000>

