

CE PCE
325 0V 7.250-11.5V
1p 027
MADE IN AUSTRIA
P44

PLUGS AND SOCKETS 7-POLES

Plugs and sockets 7-poles

7-pole (6P+E) industrial plugs and sockets cover a wide range of application.

- 7-pole (6P+E)
- 16A or 32A
- IP rating IP44/54 or IP66/67
- Contacts: nickel-plated
- Screw terminals
- External central cable gland

Application for industry, agriculture and commerce:

- Star delta connections (motor)
- Tapped winding connections (pole changing)
- Actuation
- Monitoring
- Controlling
- Indicating
- Electrical interlocks, and many more ...

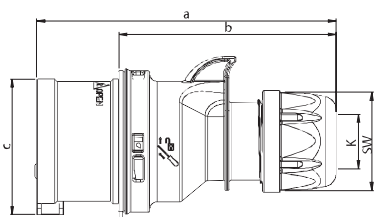
Products: plugs and sockets 7-pole:

- Plugs and angled plugs
- Flanged and wall mounted plugs
- Connectors and angled connectors
- Flanged and wall mounted sockets

The possibility of producing inductive resp. pre-mating contacts by shortend pins, enlarges the range of application.



Plugs and sockets 7-poles

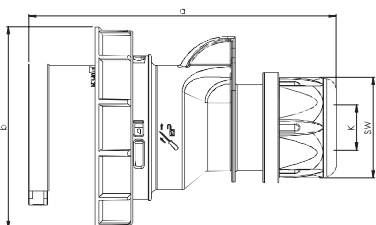


Shark Plug IP44/54

	16 Amp	32 Amp
Poles	7	7
a	134	155
b	98	109
c	61	70
K_cable Ø [mm]	8-16	11,5-22
Connection type:	Screw terminal	
Wire flexible [mm ²]	1-2,5	2,5-6
Contact screws [Ncm]	100 Ncm	110 Ncm
SW	42	50
Weight [g]	185	283

- with screw terminals
- housing material: PA6
- contacts: nickel-plated

IP44/54 dust- and splashproof

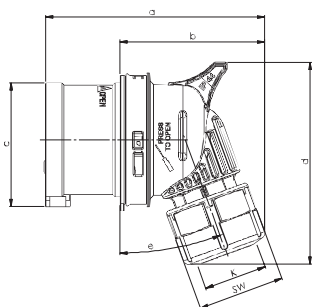


Shark Plug IP66/67

	16 Amp	32 Amp
Poles	7	7
a	134	155
b	87	100
K_cable Ø [mm]	8-16	11,5-22
Connection type:	Screw terminal	
Wire flexible [mm ²]	1-2,5	2,5-6
Contact screws [Ncm]	100 Ncm	110 Ncm
SW	42	50
Weight [g]	217	329

- with screw terminals
- housing material: PA6
- contacts: nickel-plated

IP66/67 watertight

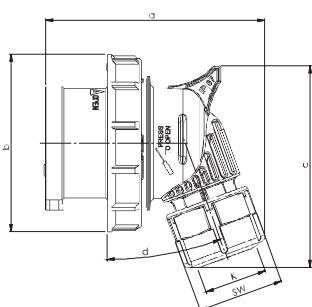


Twist Angled plug IP44/54

	16 Amp	32 Amp
Poles	7	7
a	108	135
b	71	90
c	61	70
d	99	114
e [°]	20	25
K_cable Ø [mm]	8-16	11,5-22
Connection type:	Screw terminal	
Wire flexible [mm ²]	1-2,5	2,5-6
Contact screws [Ncm]	100 Ncm	110 Ncm
SW	42	50
Weight [g]	189	286

- with screw terminals
- housing material: PC/ABS
- contacts: nickel-plated

IP44/54 dust- and splashproof



Twist Angled plug IP66/67

	16 Amp	32 Amp
Poles	7	7
a	108	135
b	87	100
c	99	114
d [°]	20	25
K_cable Ø [mm]	8-16	11,5-22
Connection type:	Screw terminal	
Wire flexible [mm ²]	1-2,5	2,5-6
Contact screws [Ncm]	100 Ncm	110 Ncm
SW	42	50
Weight [g]	220	331

- with screw terminals
- housing material: PC/ABS
- contacts: nickel-plated

IP66/67 watertight

110V~ 50/60Hz 4h	230V~ 50/60Hz 9h	400V~ 50/60Hz 6h	500V~ 50/60Hz 7h
Cat.No.	Cat.No.	Cat.No.	Cat.No.

Amp.	Poles	pack. unit				
16	7	10	017-4v	017-9v	017-6v	017-7v
32	7	10	027-4v	027-9v	027-6v	027-7v



027-6v

16	7	10	0172-4v	0172-9v	0172-6v	0172-7v
32	7	10	0272-4v	0272-9v	0272-6v	0272-7v



0272-6v

16	7	10	8017-4v	8017-9v	8017-6v	8017-7v
32	7	10	8027-4v	8027-9v	8027-6v	8027-7v



8027-6v

16	7	10	80172-4v	80172-9v	80172-6v	80172-7v
32	7	10	80272-4v	80272-9v	80272-6v	80272-7v

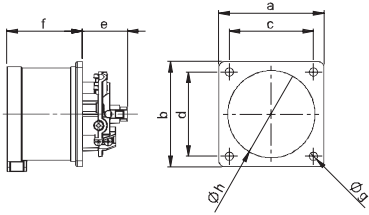


80272-6v



Plugs and sockets 7-poles

Flanged plug straight IP44/54

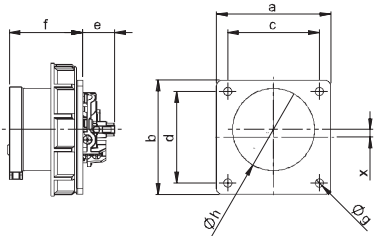


Poles	16 Amp		32 Amp	
	7	7	7	7
a	70	75	70	75
b	70	75	70	75
c	56	60	56	60
d	56	60	56	60
e	28	28	30	30
f	42	42	51	51
Ø g	5,5	5,5	5,5	5,5
Ø h	55	55	55	55
Connection type: Screw terminal				
Wire flexible [mm ²]	1-2,5		2,5-6	
solid [mm ²]	1-4		2,5-10	
Contact screws [Ncm]	100 Ncm		110 Ncm	
Weight [g]	147	152	216	221

- with screw terminals
- housing material: PA6
- contacts: nickel-plated
- According to EN 60309:
For correct use a locking device has to be provided (see page 32)

IP44/54 dust- and splashproof

Flanged plug straight IP66/67

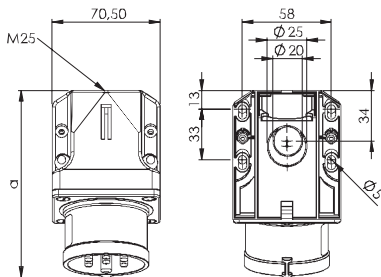


Poles	16 Amp		32 Amp	
	7	7	7	7
a	75	75	75	75
b	75	75	75	75
c	60	60	60	60
d	60	60	60	60
e	28	30	30	30
f	48	58	58	58
Ø g	5,5	5,5	5,5	5,5
Ø h	55	55	55	55
x	5,05	0	0	0
Connection type: Schraubklemmen				
Wire flexible [mm ²]	1-2,5		2,5-6	
solid [mm ²]	1-4		2,5-10	
Contact screws [Ncm]	100 Ncm		110 Ncm	
Weight [g]	180	180	265	265

- with screw terminals
- housing material: PA6
- contacts: nickel-plated
- According to EN 60309:
For correct use a locking device has to be provided (see page 32)
- for 16A 7p the plug is placed off centered for keeping the standards

IP66/67 watertight

Wall mounted plug IP44/54



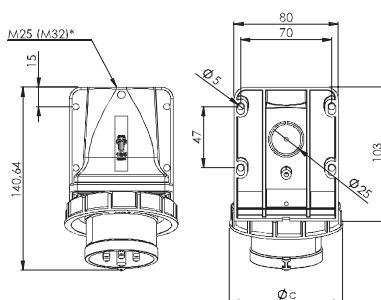
b=height
angle =15°

Poles	16 Amp		32 Amp	
	7	7	7	7
a	122	132	132	132
b	79	85	85	85
M	25	25	25	25
Connection type: Screw terminal				
Wire flexible [mm ²]	1-2,5		2,5-6	
solid [mm ²]	1-4		2,5-10	
Contact screws [Ncm]	100 Ncm		110 Ncm	
Weight [g]	235	235	304	304

- with screw terminals
- housing material: PA6
- contacts: nickel-plated
- top and rear entry
- incl. threaded cable grommet
- 9517*, 9527* large housing for wiring through

IP44 splashproof

Wall mounted plug IP66/67



b=height
angle=15°

Poles	16 Amp		32 Amp	
	7	7	7	7
a	140	152	152	152
b	100	102	102	102
c	87	100	100	100
M*	25	25	25	25
Connection type: Screw terminal				
Wire flexible [mm ²]	1-2,5		2,5-6	
solid [mm ²]	1-4		2,5-10	
Contact screws [Ncm]	100 Ncm		110 Ncm	
Weight [g]	271	271	356	356

- with screw terminals
- housing material: PA6
- contacts: nickel-plated
- top and rear entry
- incl. threaded bung

IP66/67 watertight

*M32 optional on request

110V~

50/60Hz
4h

230V~

50/60Hz
9h

400V~

50/60Hz
6h

500V~

50/60Hz
7h

Amp.	Poles	pack. unit	Cat.No.	Cat.No.	Cat.No.	Cat.No.
------	-------	------------	---------	---------	---------	---------

Flange 70 x 70 - Fixing center: 56 x 56

16	7	10	617-4v	617-9v	617-6v	617-7v
32	7	10	627-4v	627-9v	627-6v	627-7v
Flange 75 x 75 - Fixing center: 60 x 60						
16	7	10	617-4f7v	617-9f7v	617-6f7v	617-7f7v
32	7	10	627-4f7v	627-9f7v	627-6f7v	627-7f7v



627-6v

Flange 75 x 75 - Fixing center: 60 x 60						
16	7	10	6172-4v	6172-9v	6172-6v	6172-7v
32	7	10	6272-4v	6272-9v	6272-6v	6272-7v



6272-6v

16	7	10	517-4v	517-9v	517-6v	517-7v
32	7	10	527-4v	527-9v	527-6v	527-7v
for wiring through (M25 top, 2xM25 bottom)						
16	7	5	9517-4v	9517-9v	9517-6v	9517-7v
32	7	5	9527-4v	9527-9v	9527-6v	9527-7v



527-6v

9527-6v

16	7	5	5172-4kv	5172-9kv	5172-6kv	5172-7kv
32	7	5	5272-4kv	5272-9kv	5272-6kv	5272-7kv



5272-6kv

-
-
-
-
-
-
-
-
-
-
-
-
-

Plugs and sockets 7-poles

Shark Connector IP44/54

	16 Amp	32 Amp
Poles	7	7
a	145	168
b	89	99
K_cable Ø [mm]	8-16	11,5-22
Connection type: Screw terminal		
Wire flexible [mm ²]	1-2,5	2,5-6
Contact screws [Ncm]	100 Ncm	110 Ncm
SW	42	50
Weight [g]	210	310

- with screw terminals
- housing material: PA6
- contacts: nickel-plated

IP44/54 dust- and splashproof

Shark Connector IP66/67

	16 Amp	32 Amp
Poles	7	7
a	147	171
b	92	102
K_cable Ø [mm]	8-16	11,5-22
Connection type: Screw terminal		
Wire flexible [mm ²]	1-2,5	2,5-6
Contact screws [Ncm]	100 Ncm	110 Ncm
SW	42	50
Weight [g]	254	377

- with screw terminals
- housing material: PA6
- contacts: nickel-plated

IP66/67 watertight

Twist Angled connector IP44/54

	16 Amp	32 Amp
Poles	7	7
a	119	147
b	89	99
c	117	126
d [°]	20	25
K_cable Ø [mm]	8-16	11,5-22
Connection type: Screw terminal		
Wire flexible [mm ²]	1-2,5	2,5-6
Contact screws [Ncm]	100 Ncm	110 Ncm
SW	42	50
Weight [g]	214	313

- with screw terminals
- housing material: PC/ABS
- contacts: nickel-plated

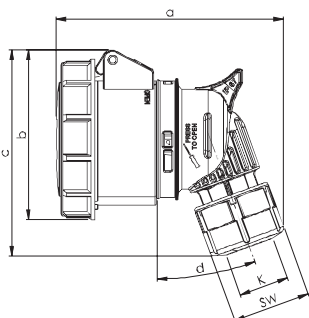
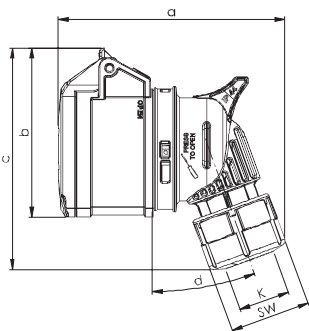
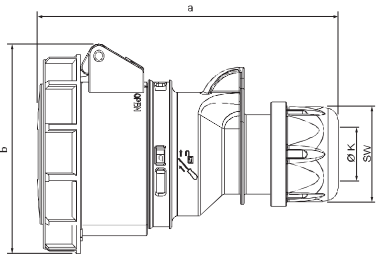
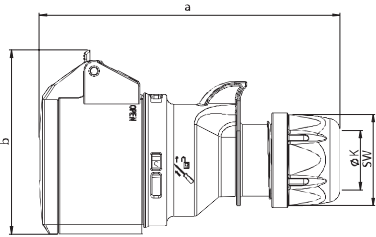
IP44/54 dust- and splashproof

Twist Angled connector IP66/67

	16 Amp	32 Amp
Poles	7	7
a	124	152
b	92	102
c	112	122
d [°]	20	25
K_cable Ø [mm]	8-16	11,5-22
Connection type: Screw terminal		
Wire flexible [mm ²]	1-2,5	2,5-6
Contact screws [Ncm]	100 Ncm	110 Ncm
SW	42	50
Weight [g]	258	379

- with screw terminals
- housing material: PC/ABS
- contacts: nickel-plated

IP66/67 watertight



110V~ 50/60Hz 4h	230V~ 50/60Hz 9h	400V~ 50/60Hz 6h	500V~ 50/60Hz 7h
Cat.No.	Cat.No.	Cat.No.	Cat.No.

Amp.	Poles	pack. unit	Cat.No.	Cat.No.	Cat.No.	Cat.No.
16	7	10	217-4v	217-9v	217-6v	217-7v
32	7	10	227-4v	227-9v	227-6v	227-7v



227-6v

16	7	10	2172-4v	2172-9v	2172-6v	2172-7v
32	7	10	2272-4v	2272-9v	2272-6v	2272-7v



2272-6v

16	7	10	8217-4v	8217-9v	8217-6v	8217-7v
32	7	10	8227-4v	8227-9v	8227-6v	8227-7v



8227-6v

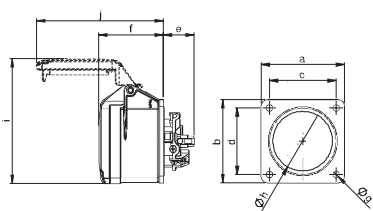
16	7	10	82172-4v	82172-9v	82172-6v	82172-7v
32	7	10	82272-4v	82272-9v	82272-6v	82272-7v



82272-6v

-
-
-
-
-
-
-
-
-
-
-
-
-

Plugs and sockets 7-poles

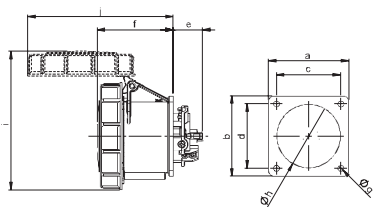


Flanged socket straight IP44/54

	16 Amp		32 Amp	
Poles	7	7	7	7
a	70	75	70	75
b	70	75	70	75
c	56	60	56	60
d	56	60	56	60
e	26	26	28	23
f	55	55	67	67
Ø g	5,5	5,5	5,5	5,5
Ø h	52	52	58	58
Connection type: Screw terminal				
Wire flexible [mm ²]	1-2,5		2,5-6	
solid [mm ²]	1-4		2,5-10	
Contact screws [Ncm]	100 Ncm		110 Ncm	
Weight [g]	174	179	243	253

- with screw terminals
- housing material: PA6
- contacts: nickel-plated

IP44/54 dust- and splashproof

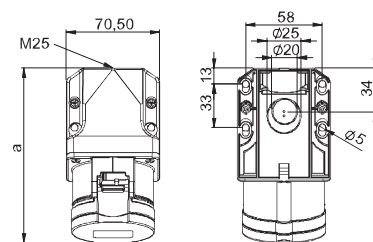


Flanged socket straight IP66/67

	16 Amp		32 Amp	
Poles	7	7	7	7
a	70	75	70	75
b	70	75	70	75
c	56	60	56	60
d	56	60	56	60
e	26	26	28	28
f	59	59	71	71
Ø g	5,5	5,5	5,5	5,5
Ø h	55	55	60	60
i	117	117	130	130
j	115	115	136	136
Connection type: Screw terminal				
Wire flexible [mm ²]	1-2,5		2,5-6	
solid [mm ²]	1-4		2,5-10	
Contact screws [Ncm]	100 Ncm		110 Ncm	
Weight [g]	207	211	292	299

- with screw terminals
- housing material: PA6
- contacts: nickel-plated

IP66/67 watertight



Wall mounted socket IP44/54

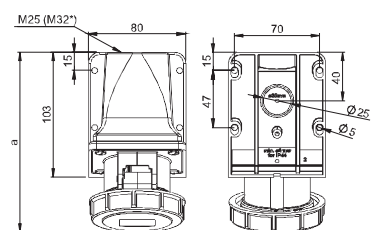
	16 Amp	32 Amp
Poles	7	7
a	133	145
b	100	107
M	25	25
Connection type: Screw terminal		
Wire flexible [mm ²]	1-2,5	2,5-6
solid [mm ²]	1-4	2,5-10
Contact screws [Ncm]	100 Ncm	110 Ncm
Weight [g]	261	330

- with screw terminals
- housing material: PA6
- contacts: nickel-plated
- top and rear entry
- incl. threaded cable grommet

• 917*, 927* large housing for wiring through

IP44 splashproof

b=Height
Angle=15°



Wall mounted socket IP66/67

	16 Amp	32 Amp
Poles	7	7
a	148	163
b	102	112
M	25	25
Connection type: Screw terminal		
Wire flexible [mm ²]	1-2,5	2,5-6
solid [mm ²]	1-4	2,5-10
Contact screws [Ncm]	100 Ncm	110 Ncm
Weight [g]	302	390

- with screw terminals
- housing material: PA6
- contacts: nickel-plated
- top and rear entry
- incl. threaded bung

IP66/67 watertight

b=Height
Angle=15°

