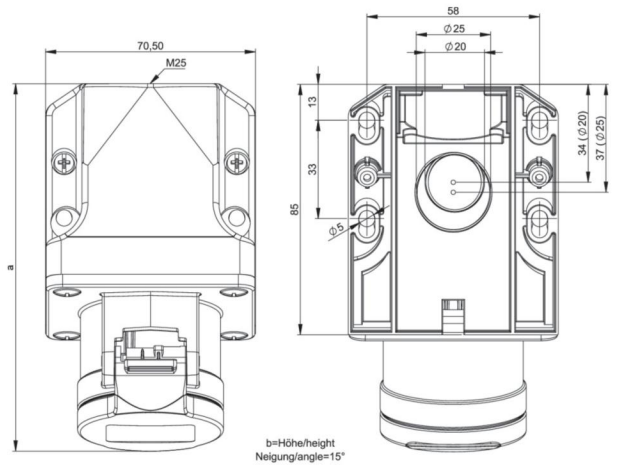


article#	<b>162v</b>
article description	<b>CEE-wall mounted socket 16A 2p 24VAC 50/60Hz IP44 TWIST</b>
description long	CEE-wall mounted socket 16A 2p 24VAC 50/60Hz IP44 TWIST housing material: PA6 rated current: 16A number of poles: 2 (2P) rated voltage/frequency: 24V~ / 50+60Hz contacts: brass nickel plated connection technology: screw terminals IP protection class: IP44
GTIN (EAN)	9003399123061
country of origin	AT
customs number	85366990
net weight	0.210 kg
packaging quantity	10
minimum order quantity	10

ETIM 9.0	EC001321
IEC-amperage	16 A
Number of poles	5
Voltage according to EN 60309-2	20-25 V (50+60 Hz) violet
Degree of protection (IP)	IP44
Connection system	Screwed terminal
Cable entry	Gland nut
Material	Plastic
Type of fastening	External mounting
Insulated mounting	True

a	124 mm
b	91 mm
wire flexible	1-10 mm <sup>2</sup>
wire solid	1,5-10 mm <sup>2</sup>
contact screws	160 Ncm
housing screws	110 Ncm
connecting screws	110 Ncm
dismantling length	70 mm
stripping length	14-16 mm
ambient temperature	-25 – 40 °C
temperature resistance	-25 – 80 °C



<https://www.pcelectric.at/shop/en/?func=detail&artnr=162v>