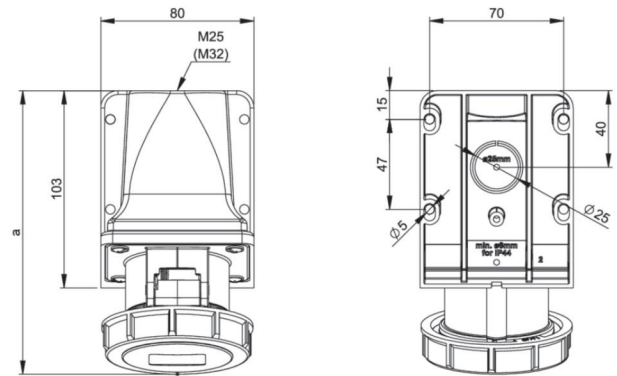


article#	<b>1132-4</b>
article description	<b>CEE-wall mounted socket 16A 3p 4h IP67</b>
description long	CEE-wall mounted socket 16A 3p 4h IP67 housing material: PA6 rated current: 16A number of poles: 3 (2P+PE) clock-position: 4h rated voltage/frequency: 100-130V~ / 50+60Hz contacts: brass connection technology: screw terminals cable entry: top and rear incl. threaded cable gland IP protection class: IP67
GTIN (EAN)	9003399165795
country of origin	AT
customs number	85366990
net weight	0.226 kg
packaging quantity	5
minimum order quantity	5

ETIM 9.0	EC001321
Model	Surface mounted
IEC-amperage	16 A
Number of poles	3
Voltage according to EN 60309-2	110 V (50+60 Hz) yellow
Clock hour position	4 h
Identification colour	Yellow
Degree of protection (IP)	IP67
Connection system	Screwed terminal
Cable entry	Gland nut
Material	Plastic
Contact material	CuZn
Surface treatment contacts	Untreated
Type of fastening	External mounting

a	146 mm
b	96 mm
wire flexible	1-2,5 mm <sup>2</sup>
wire solid	1-4 mm <sup>2</sup>
contact screws	100 Ncm
connecting screws	110 Ncm
dismantling length	50 mm
stripping length	10-12 mm
ambient temperature	-25 – 40 °C
temperature resistance	-25 – 80 °C



b=Höhe/height  
Neigung/angle=15°



<https://www.pcelectric.at/shop/en/?func=detail&artnr=1132-4>

