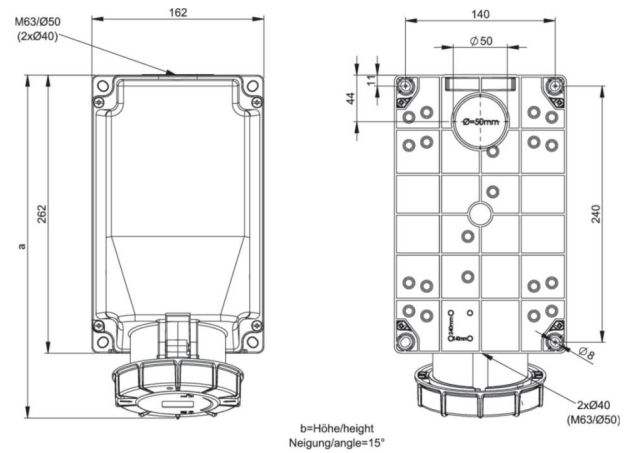


article#	<b>143-4</b>
article description	<b>CEE-wall mounted socket 125A 3p 4h IP67 POWER TWIST</b>
description long	CEE-wall mounted socket 125A 3p 4h IP67 POWER TWIST housing material: PC/ABS rated current: 125A number of poles: 3 (2P+PE) clock-position: 4h rated voltage/frequency: 100-130V~ / 50+60Hz contacts: brass, with lamellar spring (CuBe) connection technology: frame terminals with screws cable entry: top, bottom, rear inc. threaded blind cap IP protection class: IP66/IP67
GTIN (EAN)	9003399778650
country of origin	AT
customs number	85366990
net weight	1.745 kg
packaging quantity	1
minimum order quantity	1

ETIM 9.0	EC001321
Model	Surface mounted
IEC-amperage	125 A
Number of poles	3
Voltage according to EN 60309-2	110 V (50+60 Hz) yellow
Clock hour position	4 h
Identification colour	Yellow
Degree of protection (IP)	IP67
Connection system	Screwed terminal
Cable entry	Gland nut
Material	Plastic
Contact material	CuZn
Surface treatment contacts	Untreated
Type of fastening	External mounting
Insulated mounting	True
Military model	False

a	322 mm
b	205 mm
wire flexible	16-50 mm <sup>2</sup>
wire solid	16-70 mm <sup>2</sup>
contact screws	450 Ncm
housing screws	200 Ncm
dismantling length	100 mm
stripping length	24-27 mm
ambient temperature	-25 – 40 °C
temperature resistance	-25 – 80 °C



<https://www.pcelectric.at/shop/en/?func=detail&artnr=143-4>