

TWIST Extra-low voltage



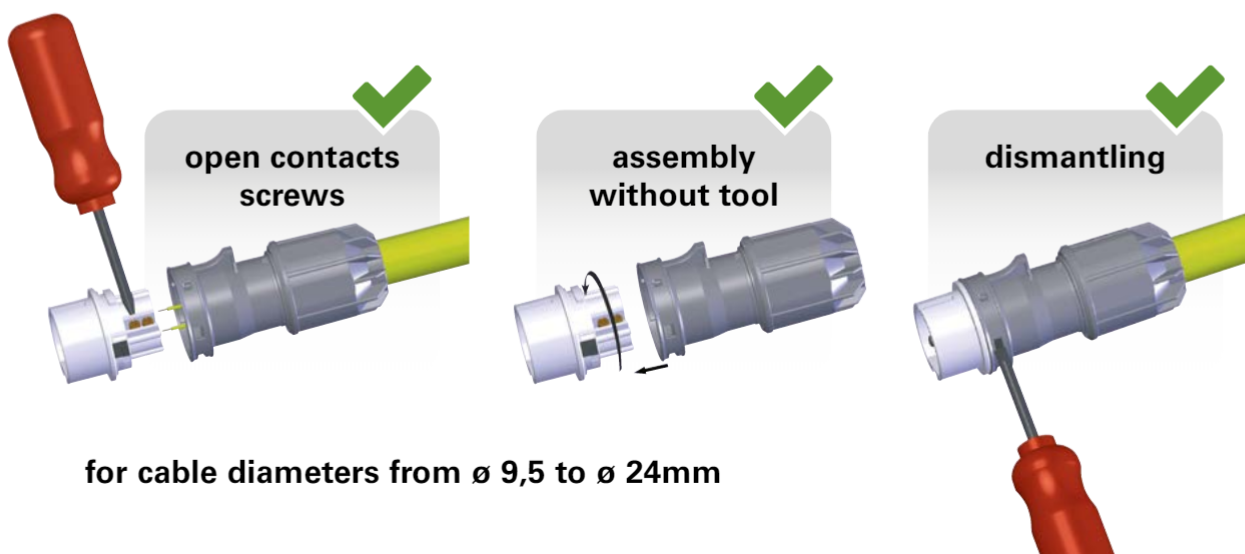
VERSIONS:

- 16A and 32A
- IP44, IP44/54 and IP67, IP66/67
- Plug, connector and sockets
- 2p and 3p
- 24V and 42V
- DC, 50/60Hz, 100 to 500 Hz



ADVANTAGES:

- easy fitting by twist-lock action
- simply unlock and twist to open
- TWIST screwless cable gland for very userfriendly, quick and easy assembly
- fast cable installation
- strain relief and sealing of the cable by tightening the cable-lock gland
- maximum cable security and 100% seal
- ample connection space
- nickel-plated contacts
- multi-ramp quick-lock system



for cable diameters from \varnothing 9,5 to \varnothing 24mm

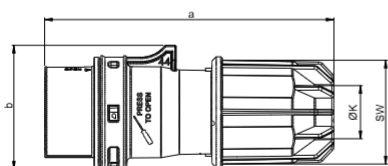


Extra-low voltage – plugs and sockets

Protective extra-low voltage

is a preventive measure for use under extreme conditions, the rated voltage (AC) is limited by max. 50V.

Special working conditions (conductive environment) e.g. in or on boilers, pipelines, containers, metal frames or limited freedom of motion require the use of extra-low voltage plugs and sockets.

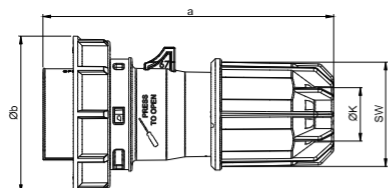


Plug IP44 TWIST

	16 Amp		32 Amp	
	2	3	2	3
Poles	2	3	2	3
a [mm]	135	135	135	135
b [mm]	57	57	57	57
K_cable Ø [mm]	9,5-24	9,5-24	9,5-24	9,5-24
Wire flexible [mm²]	1-10			
Contact screws [Ncm]	160			
SW [mm]	48			
Weight [g]	142	160	142	160

- with screw terminals
- housing material: PA6
- contacts: nickel-plated contacts

IP44 splashproof

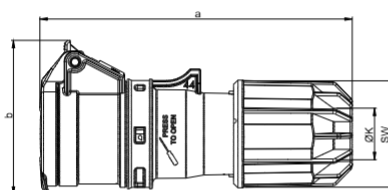


Plug IP67 TWIST

	16 Amp		32 Amp	
	2	3	2	3
Poles	2	3	2	3
a [mm]	135	135	135	135
b [mm]	71	71	71	71
K_cable Ø [mm]	9,5-24	9,5-24	9,5-24	9,5-24
Wire flexible [mm²]	1-10			
Contact screws [Ncm]	160			
SW [mm]	48			
Weight [g]	164	182	164	182

- with screw terminals
- housing material: PA6
- contacts: nickel-plated contacts

IP67 watertight

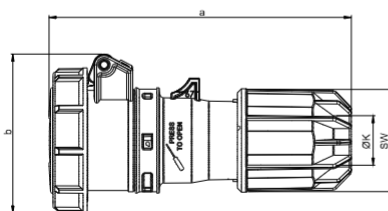


Connector IP44 TWIST

	16 Amp		32 Amp	
	2	3	2	3
Poles	2	3	2	3
a [mm]	150	150	150	150
b [mm]	75	75	75	75
K_cable Ø [mm]	9,5-24	9,5-24	9,5-24	9,5-24
Wire flexible [mm²]	1-10			
Contact screws [Ncm]	160			
SW [mm]	48			
Weight [g]	179	199	179	199

- with screw terminals
- housing material: PA6
- contacts: nickel-plated contacts

IP44 splashproof



Connector IP67 TWIST

	16 Amp		32 Amp	
	2	3	2	3
Poles	2	3	2	3
a [mm]	150	150	150	150
b [mm]	78	78	78	78
K_cable Ø [mm]	9,5-24	9,5-24	9,5-24	9,5-24
Wire flexible [mm²]	1-10			
Contact screws [Ncm]	160			
SW [mm]	48			
Weight [g]	199	219	199	219

- with screw terminals
- housing material: PA6
- contacts: nickel-plated contacts

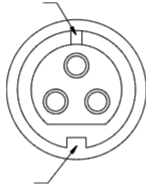
IP67 watertight

Amp.	Poles	pack. unit	24V~	42V~	24/42V~	24/42V~	24/42V~	24/42V~	24/42V~
			50/60Hz without Minor key	50/60Hz	100-200Hz	300Hz	400Hz	401-500Hz	DC
			12h	4h	2h	3h	11h	10h	
			Cat.No.	Cat.No.	Cat.No.	Cat.No.	Cat.No.	Cat.No.	Cat.No.

Examples:

View: socket (front)

Minor key
3 pol.



Major key
3 pol.

For extra-low voltage a minor key is used to distinguish voltage and frequency- see table.

Rated Voltage- V	Frequency- Hz	Clockwise position		Color acc. to EN 60309
		2P	3P	
20- 25	50 / 60	without Minor key	without Minor key	Violet
40- 50	50 / 60	12	12	White
20- 25 and 40- 50	100- 200	4	4	Green
	300	2	2	Green
	400	3	3	Green
	> 400- 500	11	11	Green
	DC	10	-	White

16	2	10	062v	082-12v	082-4v	082-2v	082-3v	082-11v	082-10v
	3	10			063v	083-12v	083-4v	083-2v	083-3v
32	2	10	072v	092-12v	092-4v	092-2v	092-3v	092-11v	092-10v
	3	10			073v	093-12v	093-4v	093-2v	093-3v



083-3v

16	2	10	0622v	0822-12v	0822-4v	0822-2v	0822-3v	0822-11v	0822-10v
	3	10			0632v	0832-12v	0832-4v	0832-2v	0832-3v
32	2	10	0722v	0922-12v	0922-4v	0922-2v	0922-3v	0922-11v	0922-10v
	3	10			0732v	0932-12v	0932-4v	0932-2v	0932-3v



0622v

16	2	10	262v	282-12v	282-4v	282-2v	282-3v	282-11v	282-10v
	3	10			263v	283-12v	283-4v	283-2v	283-3v
32	2	10	272v	292-12v	292-4v	292-2v	292-3v	292-11v	292-10v
	3	10			273v	293-12v	293-4v	293-2v	293-3v



282-4v

16	2	10	2622v	2822-12v	2822-4v	2822-2v	2822-3v	2822-11v	2822-10v
	3	10			2632v	2832-12v	2832-4v	2832-2v	2832-3v
32	2	10	2722v	2922-12v	2922-4v	2922-2v	2922-3v	2922-11v	2922-10v
	3	10			2732v	2932-12v	2932-4v	2932-2v	2932-3v



2622v

