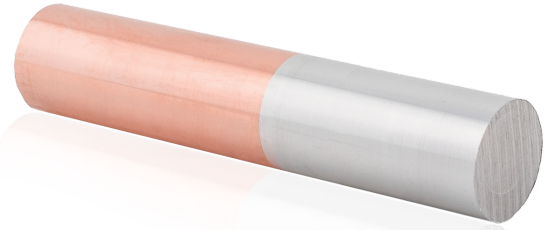




Bimetal contacts

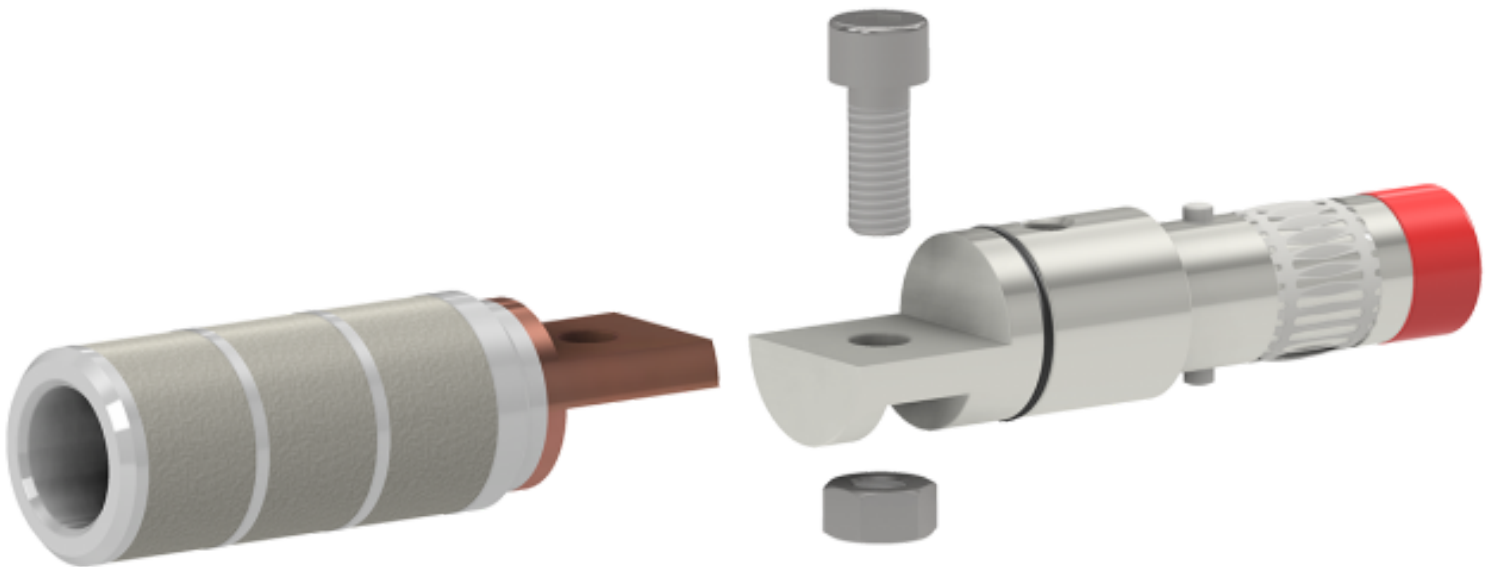
for aluminium cables.



SPY EasiLug and SPV Bimetal
480 Amp

SPY EasiLug

A contact and lug system for aluminium cables



SPY EasiLug is a quick, safe and easy means to fit lug terminal single core aluminium cables into a classical PowerSyntax single pole connector. It combines the reliability of a lug termination cable with the convenience of





Advantages

Super quick assembly

Versions available for cables up to 300 mm²

Reusable to fit cables with different lengths

Grants electrical safety and easy phase identification without the need of other devices

Greater versatility than any other high power single pole connection

Lug terminal cables directly fitted into mechanically keyed, color coded PowerSyntax connectors

Less maintenance than cables fitted with set screws/sleeve systems, or crimped cables

Standardises the single pole connections, using the same connector's body as SPX/SPZ with crimp or set screw contacts

Quick connect cables with lug terminals into power distro devices equipped with PowerSyntax panel-mount connectors

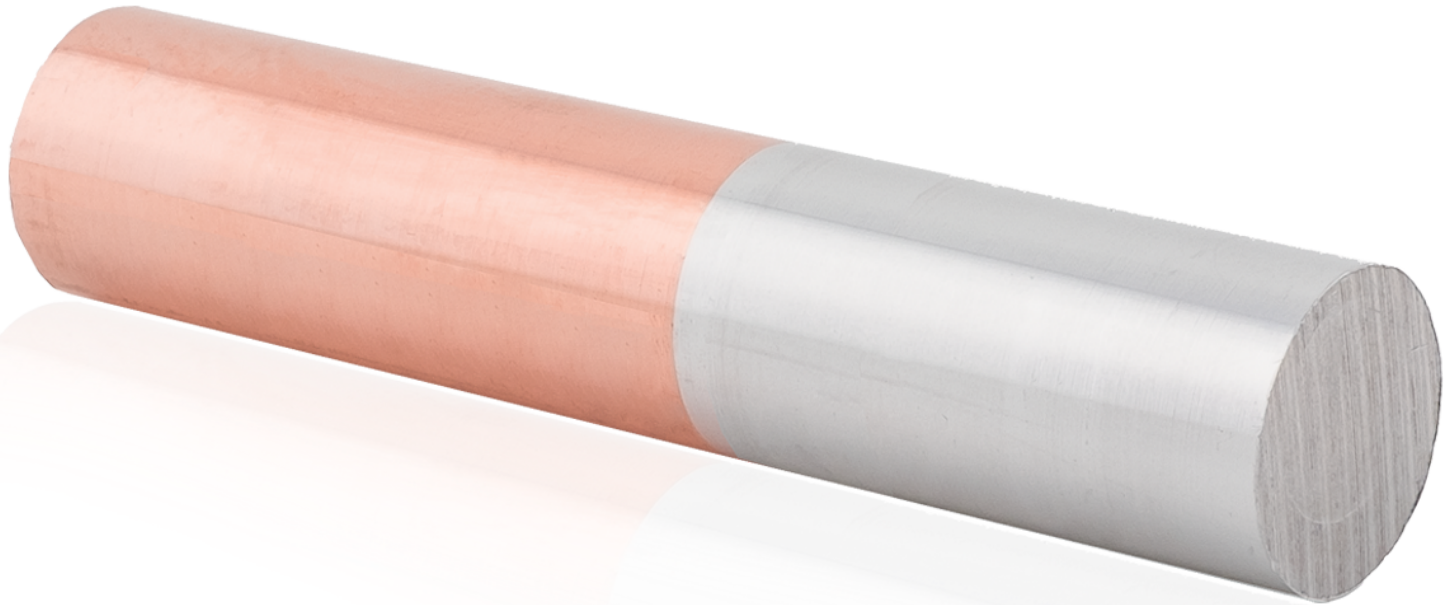
EasiLug aluminium terminal crimping specifications

| Cable section (class 5) | 120 mm ² | 150 mm ² | 185 mm ² | 240 mm ² | 300 mm ² |
|-----------------------------|---------------------|---------------------|---------------------|---------------------|---------------------|
| Contact internal Ø | 15 mm | 16,5 mm | 18,5 mm | 21,3 mm | 23,3 mm |
| Cable strip length (pic XX) | 60 mm | 60 mm | 60 mm | 60 mm | 60 mm |
| No. of crimpings | 3 | 3 | 3 | 3 | 3 |
| Crimping width | 14 mm | 14 mm | 14 mm | 17 mm | 17 mm |
| Crimp die set p/n | SBH-CRIMP-120AL | SBH-CRIMP-150AL | SBH-CRIMP-185AL | SBH-CRIMP-240AL | SBH-CRIMP-300AL |





crimp terminals are made of aluminium to allow corrosion-free termination on to aluminum cables.



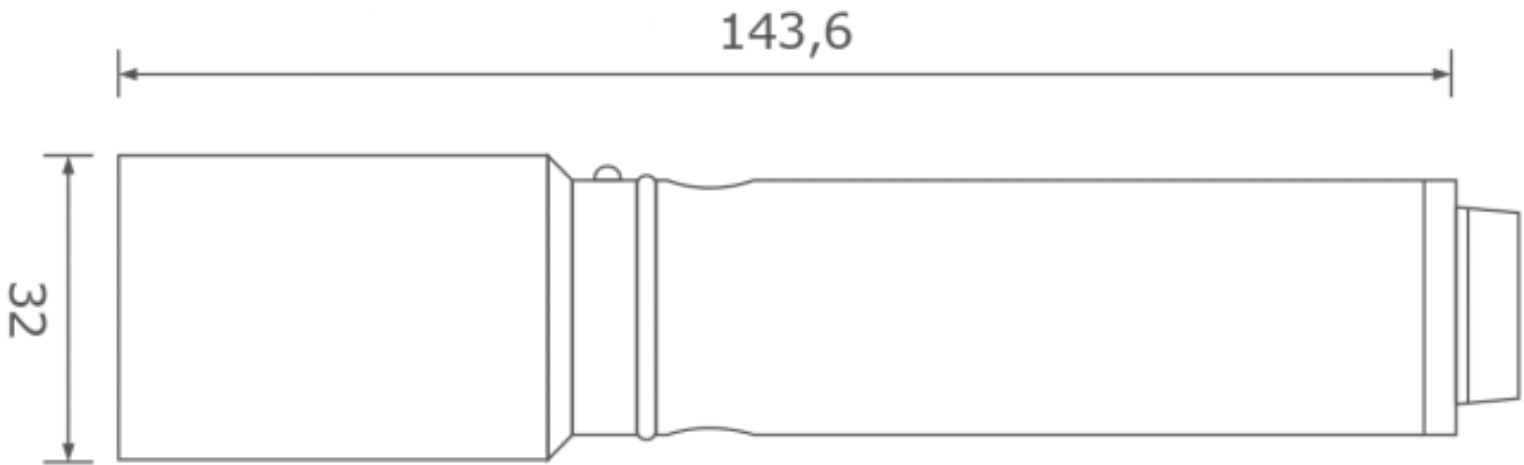
Since the PowerSyntax connectors were first introduced on the market, they have been used in a number of different applications from events to mobile generators to backup power systems. As well as improved safety compared to previous standards, for most users one of the main advantages of the PowerSyntax has been its quick and easy connection. SPX and SPZ standard PowerSyntax connectors are suitable to be used with various copper cable sections. For some applications, though, there has been a demand that these connectors may be used with aluminum cable. However, as the standard PowerSyntax connectors feature copper or copper based contacts, they should not be used for direct termination on to aluminum cables as galvanic corrosion and overheating may occur. The aluminum/copper bimetal contact of the SPV allows the use of the PowerSyntax connectors with aluminum cable, combining the advantages of this type of connection with the lighter weight associated with aluminum cable.





SPV 120 - 240 mm² | Line drain

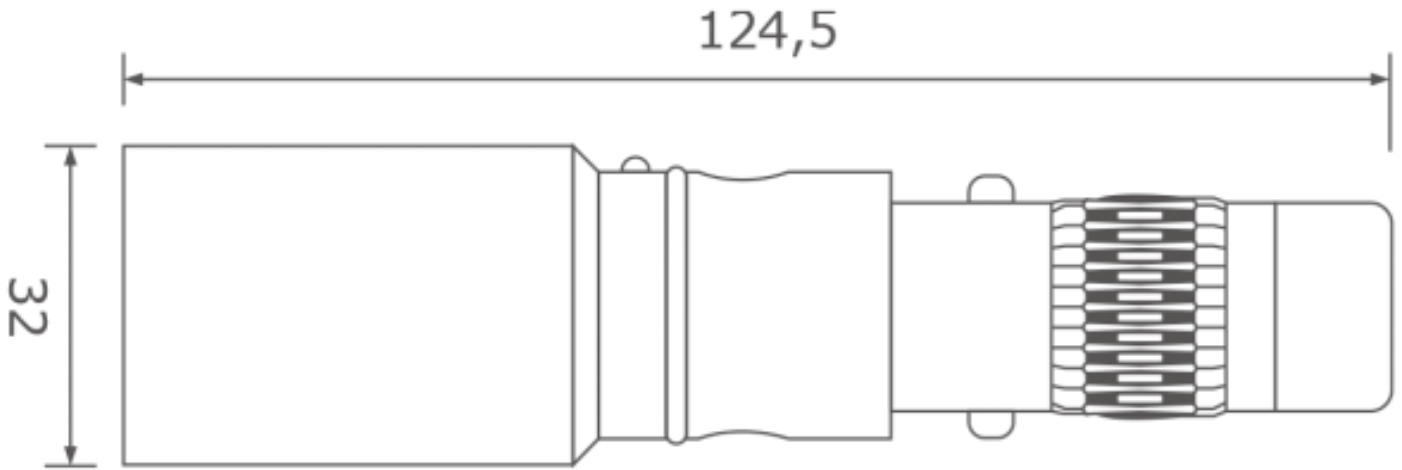
480amp Drain contact | Crimp termination | For cable up to 240 mm²





SPV 120 - 240 mm² | Line source

480amp Source contact | Crimp termination | For cable up to 240 mm²



SPV aluminium lug terminal crimping specifications

| Lug model | 120 mm ² | 150 mm ² | 185 mm ² | 240 mm ² | 300 mm ² |
|------------------------|---------------------|---------------------|---------------------|---------------------|---------------------|
| Contact internal Ø | 15 mm | 16,5 mm | 18,5 mm | 21,3 mm | 23,3 mm |
| Cable strip length (L) | 42 mm | 42 mm | 42 mm | 42 mm | 42 mm |
| No. of crimpings | 2 | 2 | 2 | 2 | 2 |
| Crimping width | 14 mm | 14 mm | 14 mm | 17 mm | 17 mm |
| Crimp die set p/n | SBH-CRIMP-120AL | SBH-CRIMP-150AL | SBH-CRIMP-185AL | SBH-CRIMP-240AL | SBH-CRIMP-300AL |





Valentini srl
via Asti, 84/a
10098 - Rivoli (TO)
Italy

Phone number
+39 0119594160

E-mail
info@syntaxnet.it

P.IVA / Vat Number
IT02571550017

[Privacy Policy](#) [Cookie Policy](#)

