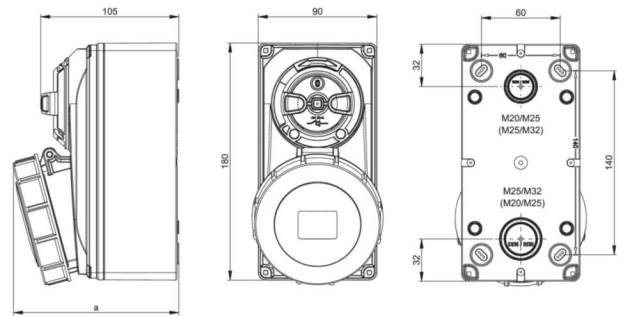


| | |
|------------------------|---|
| article# | 61132-4 |
| article description | CEE-switched interlocked socket compact 16A 3p 4h IP66/IP67 |
| description long | CEE-switched interlocked socket compact 16A 3p 4h IP66/IP67 housing material: PA6 + PC/ABS rated current: 16A number of poles: 3 (2P+PE) clock-position: 4h rated voltage/frequency: 100-130V~ / 50+60Hz contacts: brass nickel plated connection technology: screw terminals wall mounting, mechanical interlock switch: ON/OFF PCE-Merz ML0; EN 60947-3; AC22A, 10kA IP protection class: IP66/IP67 |
| GTIN (EAN) | 9003399174315 |
| country of origin | AT |
| customs number | 85366990 |
| net weight | 0.602 kg |
| packaging quantity | 1 |
| minimum order quantity | 1 |

| | |
|---------------------------------|-------------------------|
| ETIM 9.0 | EC001324 |
| IEC-amperage | 16 A |
| Number of poles | 3 |
| Voltage according to EN 60309-2 | 110 V (50+60 Hz) yellow |
| Clock hour position | 4 h |
| Identification colour | Yellow |
| Degree of protection (IP) | IP67 |
| Switch | Mechanical locking |
| Material housing | Plastic |
| Model | Base unit and cover |
| Contact material | CuZn |
| Surface treatment contacts | Nickel-plated |

| | |
|------------------------|-------------------------|
| a | 116 mm |
| wire flexible | 1,5-2,5 mm ² |
| wire solid | 1,5-4 mm ² |
| contact screws | 120 Ncm |
| housing screws | 110 Ncm |
| ambient temperature | -25 – 40 °C |
| temperature resistance | -25 – 80 °C |



<https://www.pcelectric.at/shop/en/?func=detail&artnr=61132-4>