

PC ELECTRIC GMBH

Connection
to the future

■ ■ ■ **PCE** is a world leader in the development and production of industrial plugs and sockets with an export share of over 80%!

Since its founding in 1973 the company continued to develop and to become an international group of companies.

PCE offers a wide range of high quality products for various applications in the electrical installation sector. The range is constantly updated and currently includes approximately 22.000 items. In addition to our standard products PCE is able to produce customer-specific configurations on modern injection molding and metal processing plants within a few days.

High level of quality (EN ISO 9001:2008 Certification), flexibility and constant innovation of products and processes are among the most important factors of our successful customer-oriented strategy.

Speed is top priority! Rapid delivery times and reliability through efficient manufacturing methods and uncomplicated order processing have been appreciated by our customers for years.

Continuous innovation of products and processes paired with the close cooperation with our customers makes PCE a strong, worldwide partner for the professional use of industrial plugs and sockets in electrical installation!

The following subsidiaries are also production sites

PC POLSKA, Dzierzoniow, Poland

PCE MERZ, Gaillardorf, Germany

PCEL, Sri Lanka

BRANDT GESMBH, Inzersdorf, Austria

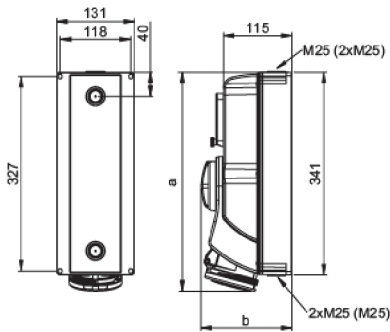
WINKLER GMBH, Ingolstadt, Germany

MOSER Systemelektrik, Schönwald, Germany



Switched interlocked sockets – with fuse

mechanical interlock, lockable by padlock



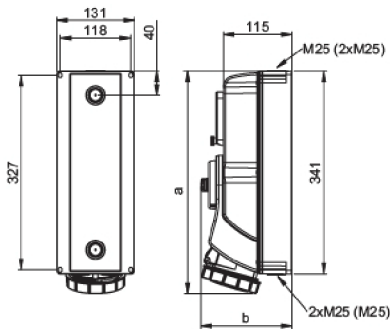
Switched interlocked socket – wall mounting

Poles	16 Amp			32 Amp		
	3	4	5	3	4	5
a	359	359	359	369	369	369
b	153	153	153	153	153	153
M	3x25	3x25	3x25	3x25	3x25	3x25
Connection type: Schraubklemme						
Wire flexible [mm ²]	1,5-2,5			2,5-6		
solid [mm ²]	1,5-4			2,5-10		
Weight [g]	1789	1794	1840	1845	1858	1905

* Option: M32 or closed

- with screw terminals
- housing material: PC/ABS
- contacts: nickel-plated contacts
- mechanical interlock
- top, bottom or rear entry
- incl. threaded bung
- fuse - Neozed (> 400V cylindrical fuse 14x51)

IP44 splashproof



Switched interlocked socket – wall mounting

Poles	16 Amp			32 Amp		
	3	4	5	3	4	5
a	361	361	363	371	371	372
b	153	153	153	153	153	153
M	3x25	3x25	3x25	3x25	3x25	3x25
Connection type: Schraubklemme						
Wire flexible [mm ²]	1,5-2,5			2,5-6		
solid [mm ²]	1,5-4			2,5-10		
Weight [g]	1819	1824	1870	1875	1888	1935

* Option: M32 or closed

- with screw terminals
- housing material: PC/ABS
- contacts: nickel-plated contacts
- mechanical interlock
- top, bottom or rear entry
- incl. threaded bung
- fuse - Neozed (> 400V cylindrical fuse 14x51)

IP67 watertight

■ ■ ■ Technical data to 16A and 32A version:

- like Series 76 ... but:
- with fuse:
for 16A and 32A: Neozed D01, D02; > 400V: cylindr. fuse 14x51
- ready wired
- special designs (switch on bottom, window on top) available on request!

110V~

50/60Hz
4h

230V~

50/60Hz
3p=6h
4p+5p=9h

400V~

50/60Hz
3p=9h
4p+5p=6h

500V~

50/60Hz
7h

Amp.	Poles	pack. unit	Cat.No.	Cat.No.	Cat.No.	Cat.No.
16	3	1	7813-4	7813-6	7813-9	7813-7
16	4	1	7814-4	7814-9	7814-6	7814-7
16	5	1	7815-4	7815-9	7815-6	7815-7
32	3	1	7823-4	7823-6	7823-9	7823-7
32	4	1	7824-4	7824-9	7824-6	7824-7
32	5	1	7825-4	7825-9	7825-6	7825-7



7825-6

16	3	1	78132-4	78132-6	78132-9	78132-7
16	4	1	78142-4	78142-9	78142-6	78142-7
16	5	1	78152-4	78152-9	78152-6	78152-7
32	3	1	78232-4	78232-6	78232-9	78232-7
32	4	1	78242-4	78242-9	78242-6	78242-7
32	5	1	78252-4	78252-9	78252-6	78252-7



78252-6

