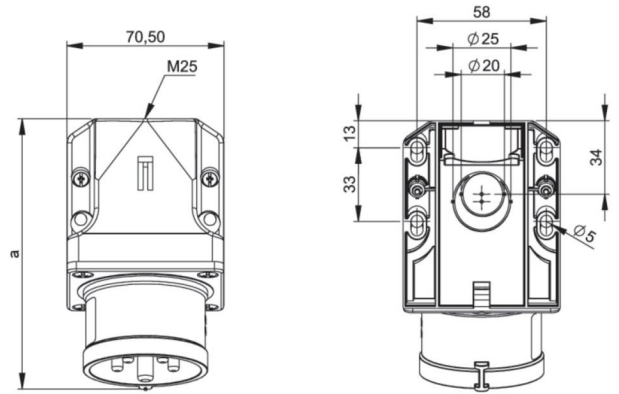


| | |
|------------------------|---|
| article# | 517-9v |
| article description | CEE-wall mounted plug 16A 7p 9h IP44/IP54 |
| description long | CEE-wall mounted plug 16A 7p 9h IP44/IP54 housing material: PA6 rated current: 16A number of poles: 7 (6P+PE) clock-position: 9h rated voltage/frequency: 220-250V~ / 50+60Hz contacts: brass nickel plated connection technology: screw terminals IP protection class: IP44/IP54 |
| GTIN (EAN) | 9003399059193 |
| country of origin | AT |
| customs number | 85366990 |
| net weight | 0.235 kg |
| packaging quantity | 10 |
| minimum order quantity | 10 |

| | |
|---------------------------------|-----------------------------|
| ETIM 9.0 | EC001319 |
| IEC-amperage | 16 A |
| Voltage according to EN 60309-2 | 200-250 V (50+60 Hz) blue |
| Number of poles | 7 |
| Clock hour position | 9 h |
| Identification colour | Blue |
| Degree of protection (IP) | IP54 |
| Connection system | Screwed terminal |
| Construction type | Surface mounted device plug |
| Angle of plug | Angled |
| Material | Plastic |

| | |
|------------------------|-----------------------|
| a | 122 mm |
| b | 79 mm |
| wire flexible | 1-2,5 mm ² |
| wire solid | 1-4 mm ² |
| contact screws | 100 Ncm |
| housing screws | 110 Ncm |
| connecting screws | 110 Ncm |
| dismantling length | 50 mm |
| stripping length | 10-12 mm |
| ambient temperature | -25 – 40 °C |
| temperature resistance | -25 – 80 °C |



b=Höhe/height
Neigung/angle=15°



<https://www.pcelectric.at/shop/en/?func=detail&artnr=517-9v>