

Amp.	Poles	pack. unit	110V~	230V~	400V~	500V~	440V~
			Cat.No.	Cat.No.	Cat.No.	Cat.No.	Cat.No.
			50/60Hz 4h	50/60Hz 3p=6h 4p+5p=9h	50/60Hz 3p=9h 4p+5p=6h	50/60Hz 7h	60Hz 3h
16	3	1	7513-4	<b>7513-6</b>	7513-9	7513-7	
16	4	1	7514-4	7514-9	<b>7514-6</b>	7514-7	
16	5	1	7515-4	7515-9	<b>7515-6</b>	7515-7	
32	3	1	7523-4	<b>7523-6</b>	7523-9	7523-7	
32	4	1	7524-4	7524-9	<b>7524-6</b>	7524-7	
32	5	1	7525-4	7525-9	<b>7525-6</b>	7525-7	



7525-6

Amp.	Poles	pack. unit	110V~	230V~	400V~	500V~	440V~
			Cat.No.	Cat.No.	Cat.No.	Cat.No.	Cat.No.
16	3	1	75132-4	<b>75132-6</b>	75132-9	75132-7	
16	4	1	75142-4	75142-9	<b>75142-6</b>	75142-7	
16	5	1	75152-4	75152-9	<b>75152-6</b>	75152-7	
32	3	1	75232-4	<b>75232-6</b>	75232-9	75232-7	
32	4	1	75242-4	75242-9	<b>75242-6</b>	75242-7	75242-3
32	5	1	75252-4	75252-9	<b>75252-6</b>	75252-7	



75252-6

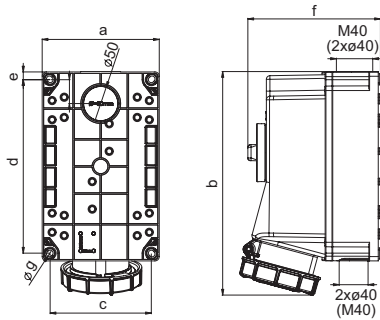
### ■ ■ ■ Technical data:

- switched interlocked socket
- 16A and 32A 3-, 4- and 5 poles
- IP44 and IP67
- **ON/OFF switch PCE-Merz ML0; EN 60947-3; AC22A, 10kA**
- large connection area
- enclosure made of shock-resistant thermoplastic material
- approved acc. to EN60309, ÖVE

Information icons: 'i', socket symbols, and a '#' symbol.

# Switched interlocked sockets – for wall mounting

mechanical interlock, lockable by padlock




## Switched interlocked socket – wall mounting

Poles	63 Amp		
	3	4	5
a	162	162	162
b	310	310	310
c	140	140	140
d	240	240	240
e	11	11	11
f	184	184	184
g	9	9	9
Connection type: Screw terminal			
Wire flexible [mm <sup>2</sup> ]	6-25		
solid [mm <sup>2</sup> ]	6-35		
Weight [g]	2049	2032	2179

- with screw terminals
- housing material: PC/ABS
- contacts: brass with lamellar contact CuBe
- mechanical interlock
- top, bottom or rear entry
- housing can be rotated by 180°
- incl. threaded bung

**IP66/67** watertight

### Advantages:

- housing material: high shock-resistant PC/ABS
- stable design for wall mounting
- suitable for in- and outdoor installations
- mechanical interlock:
  - after plugging and switching-on plug is locked
  - after switching-off and unplugging switch is locked
- generously sized connecting area
- ready wired for connection
- at switch-off position: lockable by padlock 40mm 
- external screws made of stainless steel

Special designs available on request