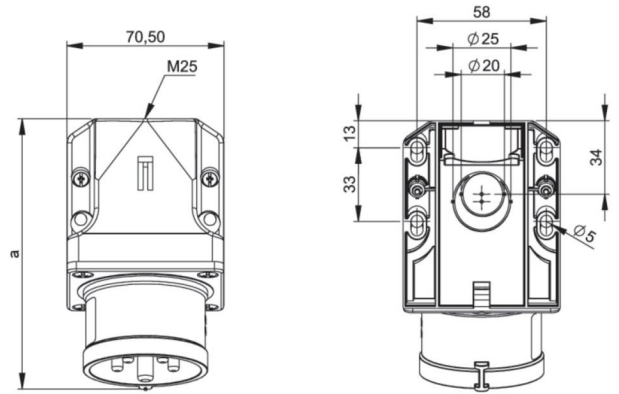


article#	<b>517-4v</b>
article description	<b>CEE-wall mounted plug 16A 7p 4h IP44/IP54</b>
description long	CEE-wall mounted plug 16A 7p 4h IP44/IP54 housing material: PA6 rated current: 16A number of poles: 7 (6P+PE) clock-position: 4h rated voltage/frequency: 110-130V~ / 50+60Hz contacts: brass nickel plated connection technology: screw terminals IP protection class: IP44/IP54
GTIN (EAN)	9003399367373
country of origin	AT
customs number	85366990
net weight	0.235 kg
packaging quantity	10
minimum order quantity	10

ETIM 9.0	EC001319
IEC-amperage	16 A
Voltage according to EN 60309-2	110 V (50+60 Hz) yellow
Number of poles	7
Clock hour position	4 h
Identification colour	Yellow
Degree of protection (IP)	IP54
Connection system	Screwed terminal
Construction type	Surface mounted device plug
Angle of plug	Angled
Material	Plastic

a	122 mm
b	79 mm
wire flexible	1-2,5 mm <sup>2</sup>
wire solid	1-4 mm <sup>2</sup>
contact screws	100 Ncm
housing screws	110 Ncm
connecting screws	110 Ncm
dismantling length	50 mm
stripping length	10-12 mm
ambient temperature	-25 – 40 °C
temperature resistance	-25 – 80 °C



b=Höhe/height  
Neigung/angle=15°



<https://www.pcelectric.at/shop/en/?func=detail&artnr=517-4v>