

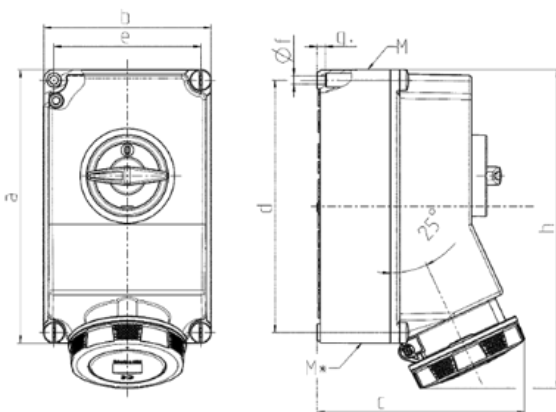
**Wall mounted socket**  
Part no. 5113PB



- screw terminals
- X-CONTACT®
- switched mechanical DUO-interlock
- receptacles can be padlocked
- pilot contact

Technical specifications

Ampere	63 A
Poles	5 p
Voltage	400 V
Clock position	6 h
Hertz	50-60 Hz
Connection technology	Screw terminals
Contact	X-CONTACT®
Protection type	IP 67
Weight	2600 g
Declaration of Conformity	CN,CQC



Drawing	Amp.	63		
		Poles		
1 MB 180		3	4	5
Dim. in mm	a	260	260	260
	b	160	160	160
	c	198	198	198
	d	240	240	240
	e	140	140	140
	f	8.1	8.1	8.1
	g	8	8	8
	h	303	303	303
	M	40	40	40
	M*	2 x 40	2 x 40	2 x 40
	Max. cable diam. (mm)	27	27	27
	Terminal for cond. cross section (mm <sup>2</sup> ) min.-max.	6	6	6
		-25	-25	-25