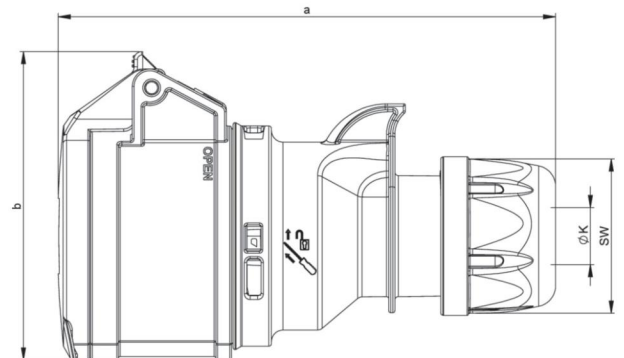


article#	223-4
article description	CEE-connector 32A 3p 4h IP44 SHARK
description long	CEE-connector 32A 3p 4h IP44/IP54 SHARK housing material: PA6 rated current: 32A number of poles: 3 (2P+PE) clock-position: 4h rated voltage/frequency: 100-130V~ / 50+60Hz contacts: brass connection technology: screw terminals IP protection class: IP44/IP54
GTIN (EAN)	9003399137372
country of origin	AT
customs number	85366990
net weight	0.228 kg
packaging quantity	10
minimum order quantity	10

ETIM 9.0	EC001320
IEC-ampereage	32 A
Number of poles	3
Voltage according to EN 60309-2	110 V (50+60 Hz) yellow
Clock hour position	4 h
Identification colour	Yellow
Degree of protection (IP)	IP44
Connection system	Screwed terminal
Angle of plug	Straight
Cable entry	Gland nut
Material	Plastic
Contact material	CuZn
Surface treatment contacts	Untreated

a	161 mm
b	94 mm
K (cable Ø)	11,5-20 mm
SW	50 mm
wire flexible	2,5-6 mm ²
contact screws	110 Ncm
strain relief	600 Ncm
dismantling length	50 mm
stripping length	12-14 mm
ambient temperature	-25 – 40 °C
temperature resistance	-25 – 80 °C



<https://www.pcelectric.at/shop/en/?func=detail&artnr=223-4>