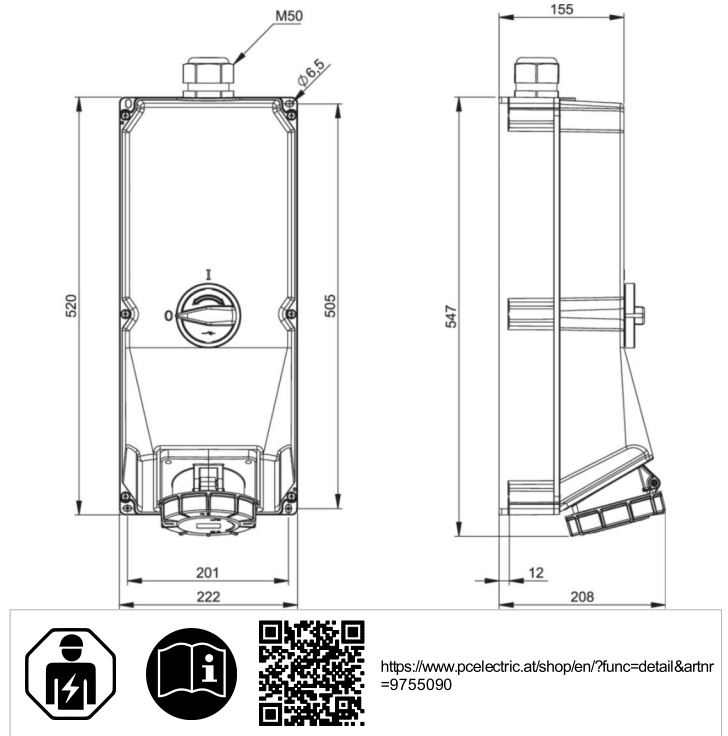


article#	<b>9755090</b>
article description	<b>CEE-switched interlocked socket 125A 3p 4h IP67</b>
description long	CEE-switched interlocked socket 125A 3p 4h IP67 housing material: PC/ABS rated current: 125A number of poles: 3 (2P+PE) clock-position: 4h rated voltage/frequency: 100-130V~ / 50+60Hz contacts: brass, with lamellar spring (CuBe) connection technology: screw terminals wall mounting, mechanical interlock switch: ON/OFF PCE-Merz ML3; EN 60947-3; AC22A (AC3, 690V, 3~, 45kW) cable entry: top IP protection class: IP67
GTIN (EAN)	9003399241765
country of origin	AT
customs number	85371098
net weight	4.500 kg
packaging quantity	1
minimum order quantity	1

ETIM 9.0	EC001324
IEC-amperage	125 A
Number of poles	3
Voltage according to EN 60309-2	110 V (50+60 Hz) yellow
Clock hour position	4 h
Identification colour	Yellow
Degree of protection (IP)	IP67
Switch	Mechanical locking
Material housing	Plastic
Model	Base unit and cover
Contact material	CuZn
Surface treatment contacts	Nickel-plated

wire flexible	16-50 mm <sup>2</sup>
wire solid	16-70 mm <sup>2</sup>
ambient temperature	-25 – 40 °C
temperature resistance	-25 – 80 °C



<https://www.pcelectric.at/shop/en/?func=detail&artnr=9755090>