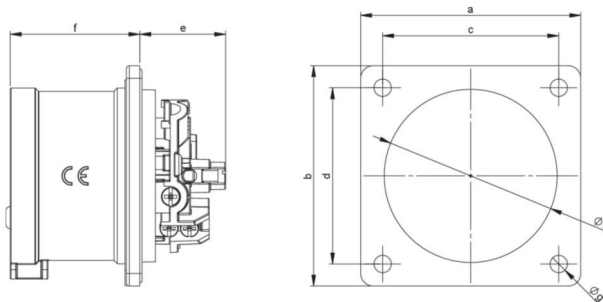


article#	<b>617-6v</b>
article description	<b>CEE-flanged plug straight (70x70mm) 16A 7p 6h IP44/IP54</b>
description long	CEE-flanged plug straight (70x70mm) 16A 7p 6h IP44/IP54 housing material: PA6 rated current: 16A number of poles: 7 (6P+PE) clock-position: 6h rated voltage/frequency: 380-415V~ / 50+60Hz contacts: brass nickel plated connection technology: screw terminals dimensions (flange/fixing center): 70x70 mm / 56x56 mm IP protection class: IP44/IP54
GTIN (EAN)	9003399067587
country of origin	AT
customs number	85366990
net weight	0.147 kg
packaging quantity	10
minimum order quantity	10

ETIM 9.0	EC001319
IEC-amperage	16 A
Voltage according to EN 60309-2	400 V (50+60 Hz) red
Number of poles	7
Clock hour position	6 h
Identification colour	Red
Degree of protection (IP)	IP54
Connection system	Screwed terminal
Construction type	Built-up device plug
Angle of plug	Straight
Material	Plastic

a	70 mm
b	70 mm
c	56 mm
d	56 mm
e	28 mm
f	42 mm
g	5,5 mm
h	55 mm
wire flexible	1-2,5 mm <sup>2</sup>
wire solid	1-4 mm <sup>2</sup>
contact screws	100 Ncm
dismantling length	50 mm
stripping length	10-12 mm
ambient temperature	-25 – 40 °C
temperature resistance	-25 – 80 °C







<https://www.pcelectric.at/shop/en/?func=detail&artnr=617-6v>

