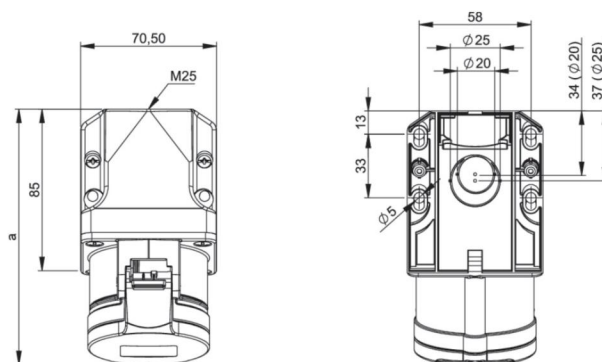


| | |
|------------------------|---|
| article# | 115-6k |
| article description | CEE wall mounted socket (compact) 16A 5p 6h IP44 |
| description long | CEE wall mounted socket (compact) 16A 5p 6h IP44 housing material: PA6 rated current: 16A number of poles: 5 (3P+N+PE) clock-position: 6h rated voltage/frequency: 200/346V~ - 240/415V~/50+60Hz contacts: brass connection technology: screw terminals cable entry: top and rear inc. threaded cable grommet IP protection class: IP44 |
| GTIN (EAN) | 9003399020063 |
| country of origin | AT |
| customs number | 85366990 |
| net weight | 0.233 kg |
| packaging quantity | 10 |
| minimum order quantity | 10 |

| | |
|---------------------------------|----------------------|
| ETIM 9.0 | EC001321 |
| Model | Surface mounted |
| IEC-amperage | 16 A |
| Number of poles | 5 |
| Voltage according to EN 60309-2 | 400 V (50+60 Hz) red |
| Clock hour position | 6 h |
| Identification colour | Red |
| Degree of protection (IP) | IP44 |
| Connection system | Screwed terminal |
| Cable entry | Gland nut |
| Material | Plastic |
| Contact material | CuZn |
| Surface treatment contacts | Untreated |
| Type of fastening | Inner lying mounting |

| | |
|------------------------|-----------------------|
| a | 133 mm |
| b | 100 mm |
| wire flexible | 1-2,5 mm ² |
| wire solid | 1-4 mm ² |
| contact screws | 100 Ncm |
| housing screws | 110 Ncm |
| connecting screws | 110 Ncm |
| dismantling length | 50 mm |
| stripping length | 10-12 mm |
| ambient temperature | -25 – 40 °C |
| temperature resistance | -25 – 80 °C |



<https://www.pcelectric.at/shop/en/?func=detail&artnr=115-6k>

