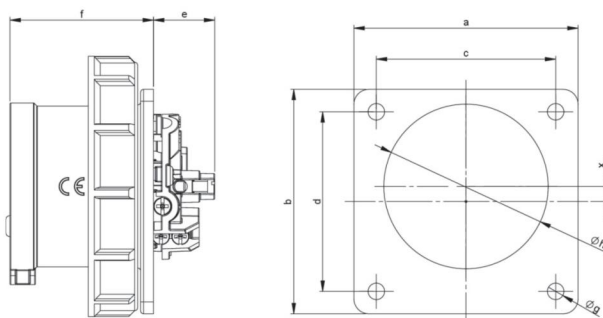


article#	<b>6272-6v</b>
article description	<b>CEE-flanged plug straight (75x75mm) 32A 7p 6h IP66/IP67</b>
description long	CEE-flanged plug straight (75x75mm) 32A 7p 6h IP66/IP67 housing material: PA6 rated current: 32A number of poles: 7 (6P+PE) clock-position: 6h rated voltage/frequency: 380-415V~ / 50+60Hz contacts: brass nickel plated connection technology: screw terminals dimensions (flange/fixing center): 75x75 mm / 60x60 mm IP protection class: IP66/IP67
GTIN (EAN)	9003399315091
country of origin	AT
customs number	85366990
net weight	0.265 kg
packaging quantity	10
minimum order quantity	10

ETIM 9.0	EC001319
IEC-amperage	32 A
Voltage according to EN 60309-2	400 V (50+60 Hz) red
Number of poles	7
Clock hour position	6 h
Identification colour	Red
Degree of protection (IP)	IP67
Connection system	Screwed terminal
Construction type	Built-up device plug
Angle of plug	Straight
Material	Plastic

a	75 mm
b	75 mm
c	60 mm
d	60 mm
e	30 mm
f	58 mm
g	5,5 mm
h	55 mm
x	0 mm
wire flexible	2,5-6 mm <sup>2</sup>
wire solid	2,5-10 mm <sup>2</sup>
contact screws	110 Ncm
dismantling length	50 mm
stripping length	12-14 mm
ambient temperature	-25 – 40 °C
temperature resistance	-25 – 80 °C



<https://www.pcelectric.at/shop/en/?func=detail&artnr=6272-6v>

