

Switched interlocked sockets – Compact series

mechanical interlock, lockable by padlock

Switched interlocked socket - panel mounting IP44

	16 Amp			32 Amp		
	3	4	5	3	4	5
Poles	3	4	5	3	4	5
a [mm]	58	60	61	66	66	67
Wire flexible [mm ²]	1,5-2,5			2,5-6		
Wire solid [mm ²]	1,5-4			2,5-10		
Weight [g]	456	481	505	507	530	565

- with screw terminals
- housing material: PA6
- contacts: nickel-plated contacts
- mechanical interlock

IP44/54 splashproof


Switched interlocked socket - panel mounting IP67

	16 Amp			32 Amp		
	3	4	5	3	4	5
Poles	3	4	5	3	4	5
a [mm]	59	61	65	67	67	70
Wire flexible [mm ²]	1,5-2,5			2,5-6		
Wire solid [mm ²]	1,5-4			2,5-10		
Weight [g]	474	502	535	538	563	603

- with screw terminals
- housing material: PA6
- contacts: nickel-plated contacts
- mechanical interlock

IP66/67 watertight

Advantages:

- compact design
- small dimensions - space saving storage
- all components are mounted on top
- as flanged version suitable for distribution boxes and boards
- ready wired for connection
- at switch-off position: lockable by padlock 
- mechanical interlock:
After plugging and switching-on **plug is locked.**
After switching-off and unplugging **switch is locked.**
- coloured switch position

110V~	230V~	400V~	500V~	440V~
50/60Hz 4h	50/60Hz 3p=6h 4p+5p=9h	50/60Hz 3p=9h 4p+5p=6h	50/60Hz 7h	60Hz 3h
Cat.No.	Cat.No.	Cat.No.	Cat.No.	Cat.No.

Amp.	Poles	pack. unit	110V~ Cat.No.	230V~ Cat.No.	400V~ Cat.No.	500V~ Cat.No.
16	3	1	6013-4	6013-6	6013-9	6013-7
16	4	1	6014-4	6014-9	6014-6	6014-7
16	5	1	6015-4	6015-9	6015-6	6015-7
32	3	1	6023-4	6023-6	6023-9	6023-7
32	4	1	6024-4	6024-9	6024-6	6024-7
32	5	1	6025-4	6025-9	6025-6	6025-7



6015-6

Amp.	Poles	pack. unit	110V~ Cat.No.	230V~ Cat.No.	400V~ Cat.No.	500V~ Cat.No.	440V~ Cat.No.
16	3	1	60132-4	60132-6	60132-9	60132-7	
16	4	1	60142-4	60142-9	60142-6	60142-7	
16	5	1	60152-4	60152-9	60152-6	60152-7	
32	3	1	60232-4	60232-6	60232-9	60232-7	
32	4	1	60242-4	60242-9	60242-6	60242-7	60242-3
32	5	1	60252-4	60252-9	60252-6	60252-7	



60152-6

new cover shape
modern design

coloured switch positions
 ■ green: OFF (switch is locked)
 ■ red: ON (plug is locked)

new designed switch element
ergonomical shape, lockable by padlock (off position) 🔒

fixing points
additional fixing points for panel mounting

locking system
new improved mechanical locking system

compact housing design
same dimensions as the existing versions

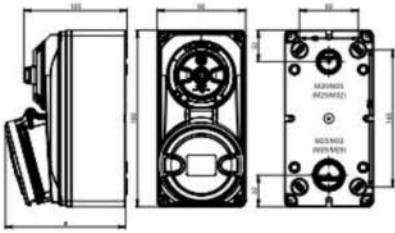
■ ■ ■ **Technical data:**

- switched interlocked socket for panel/wall mounting
- 16A and 32A; 3-, 4- and 5 poles
- IP44/54 and IP66/67
- **ON/OFF switch PCE-Merz ML0; EN 60947-3: AC22A; 10 kA**
- large connecting area
- enclosure made of shock-resistant thermoplastic material
- approved acc. to EN 60309, ÖVE



Switched interlocked sockets – Compact series

mechanical interlock, lockable by padlock

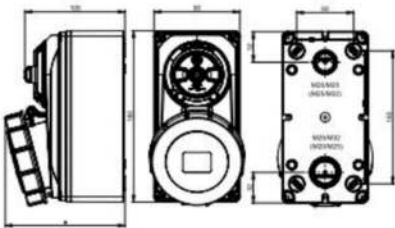


Switched interlocked socket - wall mounting IP44

	16 Amp			32 Amp		
	3	4	5	3	4	5
Poles	3	4	5	3	4	5
a [mm]	115	117	118	123	123	124
Wire flexible [mm ²]	1,5-2,5			2,5-6		
Wire solid [mm ²]	1,5-4			2,5-10		
Weight [g]	617	641	664	666	691	726

- with screw terminals
- housing material: top part PA6
bottom part PC/ABS
- contacts: nickel-plated contacts
- mechanical interlock
- rear entry M20/M25 and M25/M32
- bottom part can be rotated 180°

IP44/54 splashproof

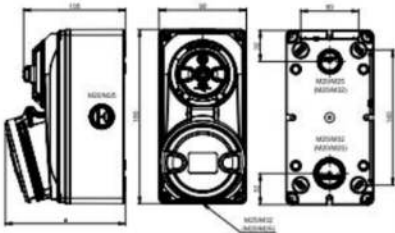


Switched interlocked socket - wall mounting IP67

	16 Amp			32 Amp		
	3	4	5	3	4	5
Poles	3	4	5	3	4	5
a [mm]	116	118	122	124	124	127
Wire flexible [mm ²]	1,5-2,5			2,5-6		
Wire solid [mm ²]	1,5-4			2,5-10		
Weight [g]	636	664	694	698	725	765

- with screw terminals
- housing material: top part PA6
bottom part PC/ABS
- contacts: nickel-plated contacts
- mechanical interlock
- rear entry M20/M25 and M25/M32
- bottom part can be rotated 180°

IP66/67 watertight

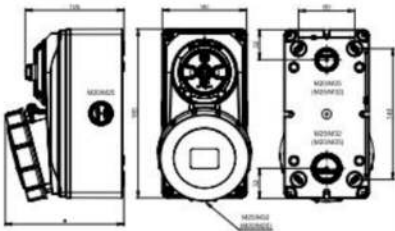


Switched interlocked socket - wall mounting with knock-out IP44

	16 Amp			32 Amp		
	3	4	5	3	4	5
Poles	3	4	5	3	4	5
a [mm]	115	117	118	123	123	124
Wire flexible [mm ²]	1,5-2,5			2,5-6		
Wire solid [mm ²]	1,5-4			2,5-10		
Weight [g]	616	640	663	665	691	725

- with screw terminals
- housing material: PA6 - PC/ABS
- contacts: nickel-plated contacts
- mechanical interlock
- cable entry:
rear entry M20/M25 and M25/M32
side entry (left and right) M20/M25
top entry M25/M32
bottom entry M20/M25
- bottom part can be rotated 180°

IP44/54 splashproof



Switched interlocked socket - wall mounting with knock-out IP67

	16 Amp			32 Amp		
	3	4	5	3	4	5
Poles	3	4	5	3	4	5
a [mm]	116	118	122	124	124	127
Wire flexible [mm ²]	1,5-2,5			2,5-6		
Wire solid [mm ²]	1,5-4			2,5-10		
Weight [g]	635	663	693	697	725	764

- with screw terminals
- housing material: PA6 - PC/ABS
- contacts: nickel-plated contacts
- mechanical interlock
- cable entry:
rear entry M20/M25 and M25/M32
side entry (left and right) M20/M25
top entry M25/M32
bottom entry M20/M25
- bottom part can be rotated 180°

IP66/67 watertight

Advantages:

- compact design
- small dimensions - space saving storage
- all components are mounted on top
- as flanged version suitable for distribution boxes and boards
- ready wired for connection
- at switch-off position: lockable by padlock 

- mechanical interlock:
After plugging and switching-on
plug is locked.
After switching-off and unplugging
switch is locked.
- coloured switch position

110V~	230V~	400V~	500V~	440V~
50/60Hz 4h	50/60Hz 3p=6h 4p+5p=9h	50/60Hz 3p=9h 4p+5p=6h	50/60Hz 7h	60Hz 3h
Cat.No.	Cat.No.	Cat.No.	Cat.No.	Cat.No.

Amp.	Poles	pack. unit	110V~ Cat.No.	230V~ Cat.No.	400V~ Cat.No.	500V~ Cat.No.	440V~ Cat.No.
16	3	1	6113-4	6113-6	6113-9	6113-7	
16	4	1	6114-4	6114-9	6114-6	6114-7	
16	5	1	6115-4	6115-9	6115-6	6115-7	
32	3	1	6123-4	6123-6	6123-9	6123-7	
32	4	1	6124-4	6124-9	6124-6	6124-7	
32	5	1	6125-4	6125-9	6125-6	6125-7	



6115-6

16	3	1	61132-4	61132-6	61132-9	61132-7	
16	4	1	61142-4	61142-9	61142-6	61142-7	
16	5	1	61152-4	61152-9	61152-6	61152-7	
32	3	1	61232-4	61232-6	61232-9	61232-7	
32	4	1	61242-4	61242-9	61242-6	61242-7	61242-3
32	5	1	61252-4	61252-9	61252-6	61252-7	



61152-6

16	3	1	6113-4k	6113-6k	6113-9k	6113-7k	
16	4	1	6114-4k	6114-9k	6114-6k	6114-7k	
16	5	1	6115-4k	6115-9k	6115-6k	6115-7k	
32	3	1	6123-4k	6123-6k	6123-9k	6123-7k	
32	4	1	6124-4k	6124-9k	6124-6k	6124-7k	
32	5	1	6125-4k	6125-9k	6125-6k	6125-7k	



6115-6k

16	3	1	61132-4k	61132-6k	61132-9k	61132-7k	
16	4	1	61142-4k	61142-9k	61142-6k	61142-7k	
16	5	1	61152-4k	61152-9k	61152-6k	61152-7k	
32	3	1	61232-4k	61232-6k	61232-9k	61232-7k	
32	4	1	61242-4k	61242-9k	61242-6k	61242-7k	61242-3k
32	5	1	61252-4k	61252-9k	61252-6k	61252-7k	



61152-6k

■ ■ ■ Technical data:

- switched interlocked socket for panel/wall mounting
- 16A and 32A; 3-, 4- and 5 poles
- IP44/54 and IP66/67
- **ON/OFF switch PCE-Merz ML0; EN 60947-3: AC22A; 10 kA**
- large connecting area
- enclosure made of shock-resistant thermoplastic material
- approved acc. to EN 60309, ÖVE



Information icons: i, power, plug, light, and a hash symbol #.

Switched interlocked sockets 16/32A

The new generation switched interlocked sockets 16/32A is a combination of modern design and highest performance, according to EN60309, ÖVE


VERSIONS:

- 16A and 32A
- 3-, 4- and 5-poles up to 690V (5h)
- IP rating IP44/54 and IP66/67
- for installation indoors and outdoors
- 2 housing sizes: 230mm without protection
 340mm with protection

ADVANTAGES:

- Housing components made of high valuable PC/ABS plastics
- Robust construction for wall mounting
- Large rotary knob 3-times lockable in OFF position with padlock (40mm , Ø_{max.} 9mm) 
- Housing screws stainless steel
- *Mechanical interlock
 - after plugging and switching ON plug is locked
 - after switching OFF and unplugging switch is locked



- 
- **On-/Off switch** PCE-MERZ ML0
EN 60947-3;AC22A, 10kA
OPTION: PCE-MERZ ML1
EN 60947-3;AC22A, 10kA
 - **Threaded insert top M25**
Option: M32 or completely closed
 - **Large connection area**
DIN-rail mounting, ready wired
 - **Mechanical interlock***
 - **Wall mounting** outside of the protected electrical area
 - **Threaded insert bottom 2xM25**
Option: 2xM32 or completely closed
 - **Contact carrier system**
simple accessibility for maintenance and the necessary check of the contacts
 - **Housing can be rotated by 180°**

- 
- **Switching mechanism**
in the top cover
 - **Captive screws**

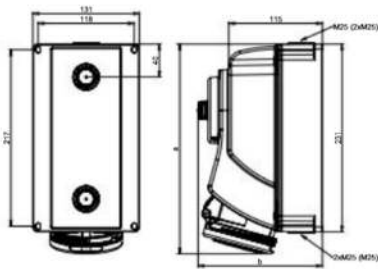
SWITCHED INTERLOCKED SOCKETS PROTECTED

- long version (340mm) with window for 5 units
- window easy accessible on top
- integrated DIN rail EN50022 for all standard protection elements (MCB, RCD, ...)
- ready wired to the DIN rail



Switched interlocked sockets – for wall mounting

mechanical interlock, lockable by padlock



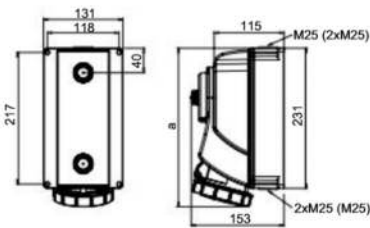
Switched interlocked socket – wall mounting IP44

Poles	16 Amp			32 Amp		
	3	4	5	3	4	5
a [mm]	249	249	249	259	259	259
b [mm]	153	153	153	153	153	153
M* [mm]	3x25	3x25	3x25	3x25	3x25	3x25
Wire flexible [mm ²]	1,5-2,5			2,5-6		
Wire solid [mm ²]	1,5-4			2,5-10		
Weight [g]	1067	1072	1118	1123	1136	1183

- with screw terminals
- housing material: PC/ABS
- contacts: nickel-plated contacts
- mechanical interlock
- top, bottom or rear entry
- incl. threaded bung

IP44/54 splashproof

* Option: M32 or closed



Switched interlocked socket – wall mounting IP67


Poles	16 Amp			32 Amp		
	3	4	5	3	4	5
a [mm]	251	251	253	260	260	262
b [mm]	153	153	153	153	153	153
M* [mm]	3x25	3x25	3x25	3x25	3x25	3x25
Wire flexible [mm ²]	1,5-2,5			2,5-6		
Wire solid [mm ²]	1,5-4			2,5-10		
Weight [g]	1130	1150	1190	1210	1220	1270

- with screw terminals
- housing material: PC/ABS
- contacts: nickel-plated contacts
- mechanical interlock
- top, bottom or rear entry
- incl. threaded bung

IP66/67 watertight

* Option: M32 or closed

Advantages:

- stable design for wall mounting
- mechanical interlock:
 - after plugging and switching-on plug is locked
 - after switching-off and unplugging switch is locked
- all components are mounted on bottom
- large connecting area
- ready wired for connection
- for 16A and 32A wiring-through
- at switch-off position: lockable by padlock (40mm) 

110V~	230V~	400V~	500V~	440V~
50/60Hz 4h	50/60Hz 3p=6h 4p+5p=9h	50/60Hz 3p=9h 4p+5p=6h	50/60Hz 7h	60Hz 3h
Cat.No.	Cat.No.	Cat.No.	Cat.No.	Cat.No.

Amp.	Poles	pack. unit	110V~ Cat.No.	230V~ Cat.No.	400V~ Cat.No.	500V~ Cat.No.
16	3	1	7513-4	7513-6	7513-9	7513-7
16	4	1	7514-4	7514-9	7514-6	7514-7
16	5	1	7515-4	7515-9	7515-6	7515-7
32	3	1	7523-4	7523-6	7523-9	7523-7
32	4	1	7524-4	7524-9	7524-6	7524-7
32	5	1	7525-4	7525-9	7525-6	7525-7



7525-6

Amp.	Poles	pack. unit	110V~ Cat.No.	230V~ Cat.No.	400V~ Cat.No.	500V~ Cat.No.	440V~ Cat.No.
16	3	1	75132-4	75132-6	75132-9	75132-7	
16	4	1	75142-4	75142-9	75142-6	75142-7	
16	5	1	75152-4	75152-9	75152-6	75152-7	
32	3	1	75232-4	75232-6	75232-9	75232-7	
32	4	1	75242-4	75242-9	75242-6	75242-7	75242-3
32	5	1	75252-4	75252-9	75252-6	75252-7	



75252-6

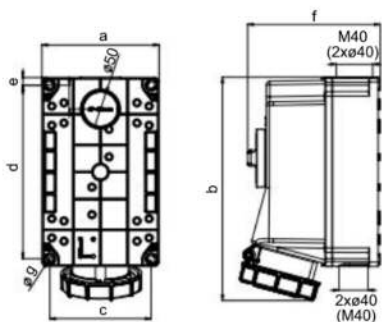
Vertical sidebar containing various icons: information (i), electrical symbols (lightning bolt, plug, socket, plug with lightning bolt, microphone), a calculator, a game controller, a lightbulb, a power plug, and a hash symbol (#).

■ ■ ■ Technical data:

- switched interlocked socket
- 16A and 32A 3-, 4- and 5 poles
- IP44/54 and IP66/67
- **ON/OFF switch PCE-Merz ML0; EN 60947-3; AC22A, 10kA**
- large connection area
- enclosure made of shock-resistant thermoplastic material
- approved acc. to EN60309, ÖVE

Switched interlocked sockets – for wall mounting

mechanical interlock, lockable by padlock




Switched interlocked socket – wall mounting IP67

Poles	63 Amp		
	3	4	5
a [mm]	162	162	162
b [mm]	310	310	310
c [mm]	140	140	140
d [mm]	240	240	240
e [mm]	11	11	11
f [mm]	184	184	184
g [mm]	9	9	9
Wire flexible [mm ²]	6-25		
Wire solid [mm ²]	6-35		
Weight [g]	2049	2032	2179

- with screw terminals
- housing material: PC/ABS
- contacts: brass with lamellar contact CuBe
- mechanical interlock
- top, bottom or rear entry
- housing can be rotated by 180°
- incl. threaded bung

IP66/67 watertight

Advantages:

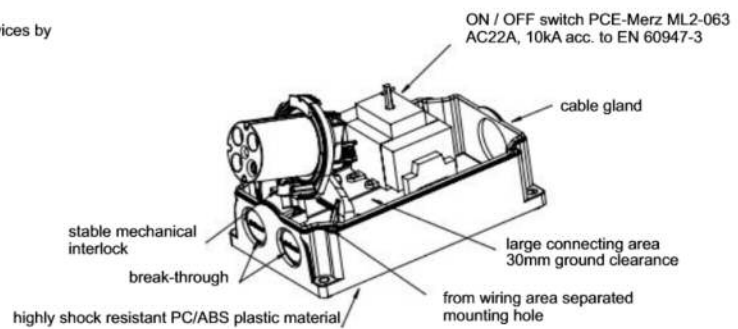
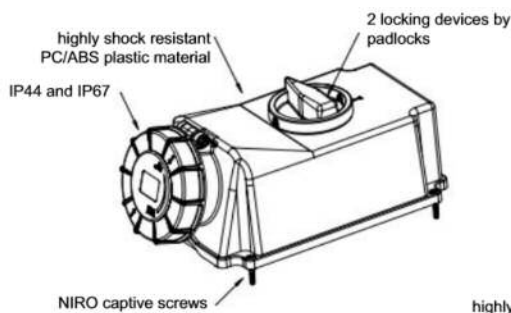
- housing material: high shock-resistant PC/ABS
- stable design for wall mounting
- suitable for in- and outdoor installations
- mechanical interlock:
 - after plugging and switching-on plug is locked
 - after switching-off and unplugging switch is locked
- generously sized connecting area
- ready wired for connection
- at switch-off position: lockable by padlock 40mm 
- external screws made of stainless steel

Amp.	Poles	pack. unit	110V~	230V~	400V~	500V~	440V~
			50/60Hz 4h	50/60Hz 3p=6h 4p+5p=9h	50/60Hz 3p=9h 4p+5p=6h	50/60Hz 7h	60Hz 3h
			Cat.No.	Cat.No.	Cat.No.	Cat.No.	Cat.No.
63	3	1	75332-4	75332-6	75332-9	75332-7	
63	4	1	75342-4	75342-9	75342-6	75342-7	
63	5	1	75352-4	75352-9	75352-6	75352-7	



75352-6

63A version

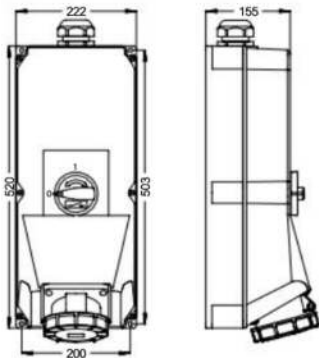


Technical data 63A:

- 63A 3-, 4- and 5 poles
- terminals max. 25/35mm²
- multiple cable entry options
- degree of protection IP66/67
- main switch PCE Merz ML2-063
 - category AC22A, 690V (AC3, 690V, 3~, 22kW)
 - rated conditional short-circuit-current 10kA
 - mechanical life of 30.000 cycles
- approved acc. to EN60309, ÖVE

Switched interlocked sockets – for wall mounting

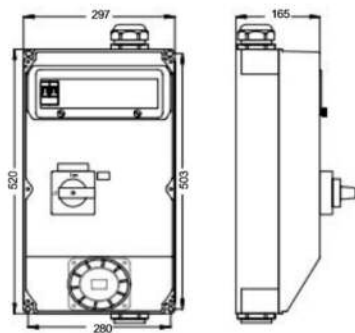
mechanical or electric interlock, lockable by padlock



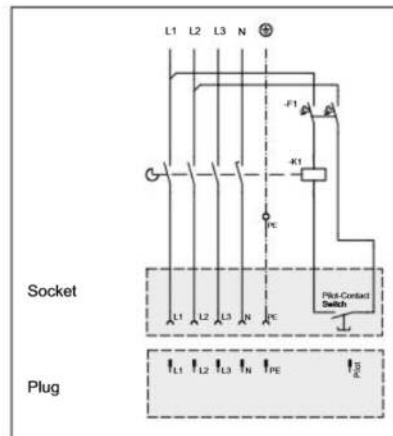
Switched interlocked socket – mechanical interlock 125A

- **WxHxD = 520x222x155mm**
- with screw terminals
- housing material: PC/ABS
- contacts: brass with lamellar contact CuBe
- mechanical interlock
- top entry
- compact design

IP67 watertight

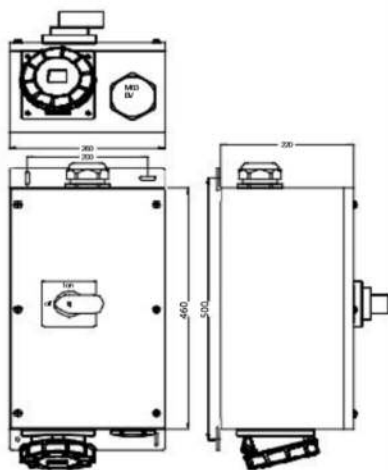


Switched interlocked socket – electric interlock 125A

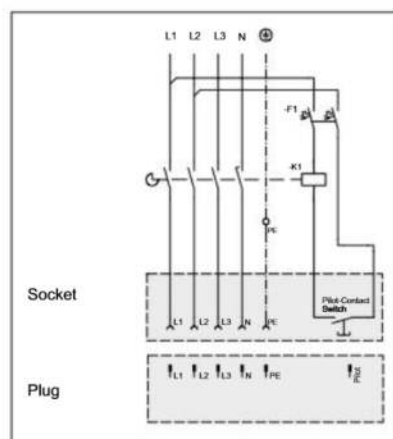


- **WxHxD = 520x297x165mm**
- material PC/ABS
- compact design
- controlled by circuit breaker 125A 4p with integrated low voltage circuit breaker 400V by PCS-system (see page 8)
- top or bottom entry (M63)
- control circuit protected with circuit breaker 10A 2p
- thermic release adjustable from 0,7 to 1 In
- manual resetting after voltage breakdown of the entry (trip position)

IP54 splash- and dustproof
IP66 on request



Switched interlocked socket – electric interlock 125A



- **WxHxD = 460x260x220mm**
- metal housing (RAL 7035), protection degree IP66
- controlled by circuit breaker 125A 4p with integrated low voltage circuit breaker 400V by PCS-system (see page 8)
- optional with integrated RCD protection device
- wall mounting devices outside
- top or bottom entry (M63)
- control circuit protected with circuit breaker 10A 2p
- thermic release adjustable from 0,7 to 1 In
- manual resetting after voltage breakdown of the entry (trip position)

IP66 watertight

Circuit diagram

■ ■ ■ Technical data 125A:

- 125A 3-, 4- and 5 poles
- terminals max. 70/50mm²
- cable gland M50 (cable diameter 32-38mm)
- degree of protection IP66 or 67

Amp.	Poles	pack. unit	110V~ 50/60Hz 4h	230V~ 50/60Hz 3p=6h 4p+5p=9h	400V~ 50/60Hz 3p=9h 4p+5p=6h	500V~ 50/60Hz 7h	440V~ 60Hz 3h
			Cat.No.	Cat.No.	Cat.No.	Cat.No.	Cat.No.

125	3	1	9755090	9755102	9755091	9755101	
125	4	1	9755095	9755096	9755099	9755098	
125	5	1	9755104	9755105	9755100	9755103	

Special designs available on request



9755100

125	5	1			9029100		
-----	---	---	--	--	----------------	--	--



125	5	1			9754100		
-----	---	---	--	--	----------------	--	--



- circuit breaker PCE Merz ML3
 - category AC22A, 690V (AC3, 690V, 3~, 45kW)
 - rated conditional short-circuit-current 10kA
 - mechanical life of 30.000 cycles
- approved acc. to EN60309, ÖVE

Information icons: i, search, power, lightning bolt, microphone, grid, game controller, lightbulb, wheelchair, hash #

Switched interlocked sockets – with DIN-rail

mechanical interlock, lockable by padlock

Switched interlocked socket – wall mounting IP44

Poles	16 Amp			32 Amp		
	3	4	5	3	4	5
a [mm]	359	359	359	369	369	369
b [mm]	153	153	153	153	153	153
M* [mm]	3x25	3x25	3x25	3x25	3x25	3x25
Wire flexible [mm ²]	1,5-2,5			2,5-6		
Wire solid [mm ²]	1,5-4			2,5-10		
Weight [g]	1454	1459	1505	1510	1523	1570

* Option: M32 or closed

- with screw terminals
- housing material: PC/ABS
- contacts: nickel-plated contacts
- mechanical interlock
- top, bottom or rear entry
- incl. threaded bung
- with DIN-rail and hinged window for 5 modules

IP44/54 splashproof

Switched interlocked socket – wall mounting IP67

Poles	16 Amp			32 Amp		
	3	4	5	3	4	5
a [mm]	361	361	363	371	371	372
b [mm]	153	153	153	153	153	153
M* [mm]	3x25	3x25	3x25	3x25	3x25	3x25
Wire flexible [mm ²]	1,5-2,5			2,5-6		
Wire solid [mm ²]	1,5-4			2,5-10		
Weight [g]	1489	1494	1540	1545	1557	1605

* Option: M32 or closed

- with screw terminals
- housing material: PC/ABS
- contacts: nickel-plated contacts
- mechanical interlock
- top, bottom or rear entry
- incl. threaded bung
- with DIN-rail and hinged window for 5 modules

IP66/67 watertight

Switched interlocked socket – wall mounting IP67 **POWER TWIST**

Poles	63 Amp		
	3	4	5
a [mm]	496	496	496
b [mm]	195	195	195
Wire flexible [mm ²]	6-16		
Wire solid [mm ²]	6-16		
Weight [g]	2900	2975	3050

- contact frame with screws
- housing material: PC/ABS
- contacts: brass with lamellar contact CuBe
- mechanical interlock
- top, bottom or rear entry
- incl. threaded bung
- with DIN-rail and hinged window for 6 modules

IP66/67 watertight

■ ■ ■ Technical data to 16A and 32A version:

- like Series 75 ... but:
- large version with spring-loaded window for 5 modules
- integrated DIN-rail EN 50022 for standard fuses, e.g. MCBs, RCDs, etc. with cap-dimensions: 45 mm
- ready wired for connection up to DIN-rail

110V~	230V~	400V~	500V~	440V~
50/60Hz 4h	50/60Hz 3p=6h 4p+5p=9h	50/60Hz 3p=9h 4p+5p=6h	50/60Hz 7h	60Hz 3h
Cat.No.	Cat.No.	Cat.No.	Cat.No.	Cat.No.

Amp.	Poles	pack. unit	110V~ Cat.No.	230V~ Cat.No.	400V~ Cat.No.	500V~ Cat.No.
16	3	1	7613-4	7613-6	7613-9	7613-7
16	4	1	7614-4	7614-9	7614-6	7614-7
16	5	1	7615-4	7615-9	7615-6	7615-7
32	3	1	7623-4	7623-6	7623-9	7623-7
32	4	1	7624-4	7624-9	7624-6	7624-7
32	5	1	7625-4	7625-9	7625-6	7625-7



7625-6

Amp.	Poles	pack. unit	110V~ Cat.No.	230V~ Cat.No.	400V~ Cat.No.	500V~ Cat.No.	440V~ Cat.No.
16	3	1	76132-4	76132-6	76132-9	76132-7	
16	4	1	76142-4	76142-9	76142-6	76142-7	
16	5	1	76152-4	76152-9	76152-6	76152-7	
32	3	1	76232-4	76232-6	76232-9	76232-7	
32	4	1	76242-4	76242-9	76242-6	76242-7	76242-3
32	5	1	76252-4	76252-9	76252-6	76252-7	



76252-6

Amp.	Poles	pack. unit	110V~ Cat.No.	230V~ Cat.No.	400V~ Cat.No.	500V~ Cat.No.
63	3	1	76332-4	76332-6	76332-9	76332-7
63	4	1	76342-4	76342-9	76342-6	76342-7
63	5	1	76352-4	76352-9	76352-6	76352-7



76352-6

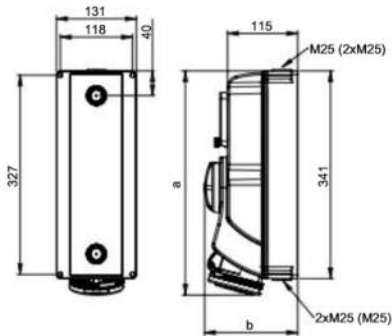
Technical data to 63A version:

- like Series 75 ... but:
- window with 6 modules
- integrated DIN-rail EN 50022 for standard fuses, e.g. MCBs, RCDs, etc. with cap-diameters: 45mm
- ready wired for connection up to DIN-rail

Information icons: i, power, plug, light, and a hash symbol #.

Switched interlocked sockets – with fuse

mechanical interlock, lockable by padlock



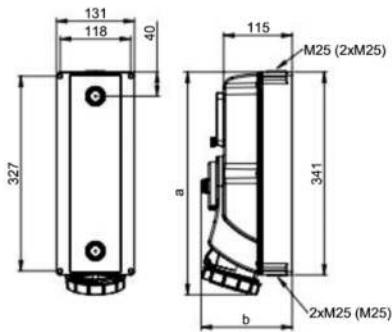
Switched interlocked socket – wall mounting IP44

Poles	16 Amp			32 Amp		
	3	4	5	3	4	5
a [mm]	359	359	359	369	369	369
b [mm]	153	153	153	153	153	153
M* [mm]	3x25	3x25	3x25	3x25	3x25	3x25
Wire flexible [mm ²]	1,5-2,5			2,5-6		
Wire solid [mm ²]	1,5-4			2,5-10		
Weight [g]	1789	1794	1840	1845	1858	1905

* Option: M32 or closed

- with screw terminals
- housing material: PC/ABS
- contacts: nickel-plated contacts
- mechanical interlock
- top, bottom or rear entry
- incl. threaded bung
- fuse - Neozed (> 400V cylindrical fuse 14x51)

IP44/54 splashproof



Switched interlocked socket – wall mounting IP67

Poles	16 Amp			32 Amp		
	3	4	5	3	4	5
a [mm]	361	361	363	371	371	372
b [mm]	153	153	153	153	153	153
M* [mm]	3x25	3x25	3x25	3x25	3x25	3x25
Wire flexible [mm ²]	1,5-2,5			2,5-6		
Wire solid [mm ²]	1,5-4			2,5-10		
Weight [g]	1819	1824	1870	1875	1888	1935

* Option: M32 or closed

- with screw terminals
- housing material: PC/ABS
- contacts: nickel-plated contacts
- mechanical interlock
- top, bottom or rear entry
- incl. threaded bung
- fuse - Neozed (> 400V cylindrical fuse 14x51)

IP66/67 watertight

■ ■ ■ Technical data to 16A and 32A version:

- like Series 76 ... but:
- with fuse:
for 16A and 32A: Neozed D01, D02; > 400V: cylindr. fuse 14x51
- ready wired

110V~	230V~	400V~	500V~	440V~
50/60Hz 4h	50/60Hz 3p=6h 4p+5p=9h	50/60Hz 3p=9h 4p+5p=6h	50/60Hz 7h	60Hz 3h
Cat.No.	Cat.No.	Cat.No.	Cat.No.	Cat.No.

Amp.	Poles	pack. unit	Cat.No.	Cat.No.	Cat.No.	Cat.No.
16	3	1	7813-4	7813-6	7813-9	7813-7
16	4	1	7814-4	7814-9	7814-6	7814-7
16	5	1	7815-4	7815-9	7815-6	7815-7
32	3	1	7823-4	7823-6	7823-9	7823-7
32	4	1	7824-4	7824-9	7824-6	7824-7
32	5	1	7825-4	7825-9	7825-6	7825-7



7825-6

Amp.	Poles	pack. unit	Cat.No.	Cat.No.	Cat.No.	Cat.No.
16	3	1	78132-4	78132-6	78132-9	78132-7
16	4	1	78142-4	78142-9	78142-6	78142-7
16	5	1	78152-4	78152-9	78152-6	78152-7
32	3	1	78232-4	78232-6	78232-9	78232-7
32	4	1	78242-4	78242-9	78242-6	78242-7
32	5	1	78252-4	78252-9	78252-6	78242-3



78252-6

-
-
-
-
-
-
-
-