

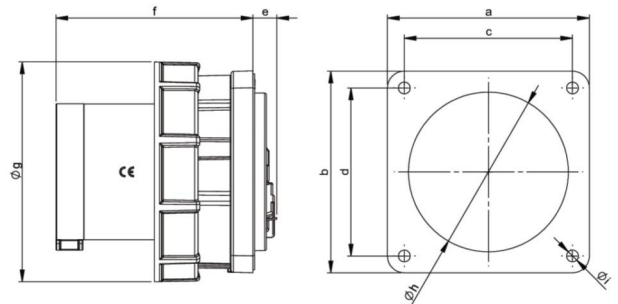
PCE data sheet

article#	645-6
article description	CEE-flanged plug straight 125A 5p 6h IP67 POWER TWIST
description long	CEE-flanged plug straight 125A 5p 6h IP67 POWER TWIST housing material: PA6 rated current: 125A number of poles: 5 (3P+N+PE) clock-position: 6h rated voltage/frequency: 200/346V~ - 240/415V~ / 50+60Hz contacts: brass nickel plated, with pilot pin connection technology: frame terminals with screws dimensions (flange/fixing center): 120x120 mm / 100x100 mm IP protection class: IP66/IP67
GTIN (EAN)	9003399069000
country of origin	AT
customs number	85366990
net weight	0.998 kg
packaging quantity	2
minimum order quantity	2



ETIM 7.0	EC001319
IEC-amperage	125 A
Voltage acc. EN 60309-2	400 V (50+60 Hz) red
Number of poles	5
Clock hour position	6 h
Identification colour	Red
Degree of protection (IP)	IP67
Connection system	Screwed terminal
Construction type	Built-up device plug
Angle of plug	Straight
Material	Plastic
Contact material	CuZn
Surface finish contacts	Nickel-plated

wire flexible	16-50 mm ²
wire solid	16-70 mm ²
contact screws	450 Ncm
dismantling length	100 mm
stripping length	24-27 mm



www.manufacturer-safety.info