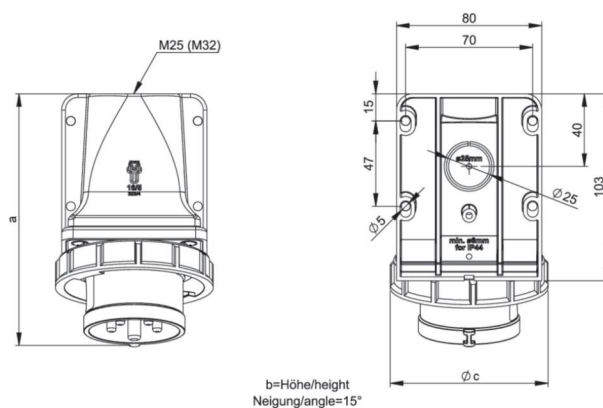


article#	<b>5152-6k</b>
article description	<b>CEE-wall mounted plug 16A 5p 6h IP67</b>
description long	CEE-wall mounted plug 16A 5p 6h IP67 housing material: PA6 rated current: 16A number of poles: 5 (3P+N+PE) clock-position: 6h rated voltage/frequency: 200/346V~ - 240/415V~/50+60Hz contacts: brass connection technology: screw terminals IP protection class: IP66/IP67
GTIN (EAN)	9003399277511
country of origin	AT
customs number	85366990
net weight	0.242 kg
packaging quantity	5
minimum order quantity	5

ETIM 9.0	EC001319
IEC-amperage	16 A
Voltage according to EN 60309-2	400 V (50+60 Hz) red
Number of poles	5
Clock hour position	6 h
Identification colour	Red
Degree of protection (IP)	IP67
Connection system	Screwed terminal
Construction type	Surface mounted device plug
Phase inverter	False
Angle of plug	Angled
Material	Plastic
Contact material	CuZn
Surface treatment contacts	Untreated

a	140 mm
b	100 mm
c	87 mm
wire flexible	1-2,5 mm <sup>2</sup>
wire solid	1-4 mm <sup>2</sup>
contact screws	100 Ncm
connecting screws	110 Ncm
dismantling length	50 mm
stripping length	10-12 mm
ambient temperature	-25 – 40 °C
temperature resistance	-25 – 80 °C



<https://www.pcelectric.at/shop/en/?func=detail&artnr=5152-6k>