

DXA1



DECONTACTOR™ METAL



20 A

- ▶ II2 G D Ex de IIC, Ex tb IIIC
- ▶ Automatic IP66/IP67 water-and dust-tight
- ▶ Integrated load-break switch
- ▶ Lockable in connected or disconnected position with optional lockout shaft
- ▶ Low temperature rating of -55°C

MAIN FEATURES

Rated current (with wiring according to standard)	20 A	Ambient temperature	-55 °C to +60 °C
Maximum voltage	550 V	Flexible wiring (min-max)	1-4 mm ²
IP protection lid closed	IP66/IP67	Stranded wiring (min-max)	1,5-6 mm ²
IP protection plug connected	IP66/IP67	ATEX zones	1 & 2, 21 & 22
Shock resistance	IK10	Keying positions	24



DXA DECONTACTOR™ complies with:

- The ATEX 2014/35/EU Directive,
- IEC/EN 60079-0, IEC/EN 60079-1, IEC/EN 60079-7 and IEC/EN 60079-31 international standards
- The essential safety requirements of IEC 60309-1 & IEC 60309-4 international and European standards (plugs and socket-outlets for industrial purposes),
- The switch utilization categories AC-22 and AC-23 described in IEC/EN 60947-3,
- The French NF C 15-100 standard,
- The European 'Machine Directive' 2006/42/CE regarding equipment isolation,
- The French decree dated 20 December 2011 pertaining to the wiring and operating conditions of movable electrical apparatuses,
- The decrees relating to workers' protection in Belgium, Spain and Italy,

Also certified by LCIE (ATEX et IECEx) and cCSAus (French and American-Canadian* European and international notified bodies).

(* for North-American markets)



**WALL MOUNTING
SOCKET DXA1**



PLUG DXA1

GLAND SUFFIX

PE Ex	Suffix
M25 (9-16 mm)	Ref. + 25M
M32 (12-21mm)	291A653
Other	Consult us

**SOCKET-OUTLET
female
DXA1 (20 A)**



**PLUG male
DXA1 (20 A)**



220-250 V AC	1P+N+E	2914015	2918015
380-440 V AC	3P+E	2914013	2918013
380-440 V AC	3P+N+E	2914017	2918017

**WALL mounting
socket female
DXA1 (20 A)**



**PLUG male
DXA1 (20 A)**



220-250 V AC	1P+N+E	M20	8-13 mm	2914015 + 291A053	2918015 + 291A963
380-440 V AC	3P+E	M20	8-13 mm	2914013 + 291A053	2918013 + 291A963
380-440 V AC	3P+N+E	M20	8-13 mm	2914017 + 291A053	2918017 + 291A963

**INCLINED socket
female
DXA1 (20 A)**



**INCLINED appliance
inlet male
DXA1 (20 A)**



220-250 V AC	1P+N+E	2914015 + 291A027	2918015 + 291A027
380-440 V AC	3P+E	2914013 + 291A027	2918013 + 291A027
380-440 V AC	3P+N+E	2914017 + 291A027	2918017 + 291A027

**COUPLER socket
female
DXA1 (20 A)**




**WALL mounting
appliance inlet male
DXA1 (20 A)**



220-250 V AC	1P+N+E	M20	8-13 mm	2914015 + 291A963	2918015 + 291A053
380-440 V AC	3P+E	M20	8-13 mm	2914013 + 291A963	2918013 + 291A053
380-440 V AC	3P+N+E	M20	8-13 mm	2914017 + 291A963	2918017 + 291A053

MARECHAL ELECTRIC FRANCE

 IIC G D Ex de IIC T* Gb Ex tb IIIC T* Db
 -55 °C ≤ Ta ≤ +40 °C T6 T68 °C
 -55 °C ≤ Ta ≤ +60 °C T5 T88 °C
 LCIE 15 ATEX3033X/IECEx LCIE 15.0030X

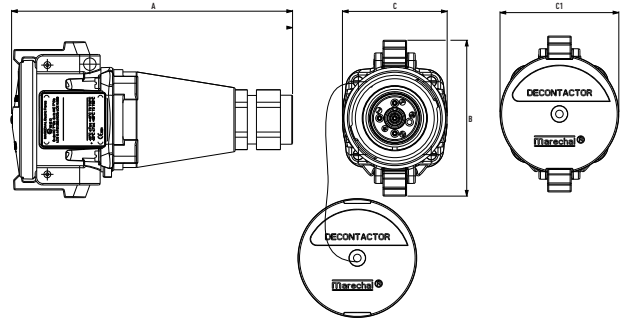
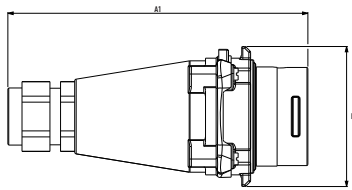
ACCESSORIES AND OPTIONS

Inlet cap 291A426

Locking with shaft for 2 padlocks ø 8 mm
(padlocks not supplied) Ref. socle + 843

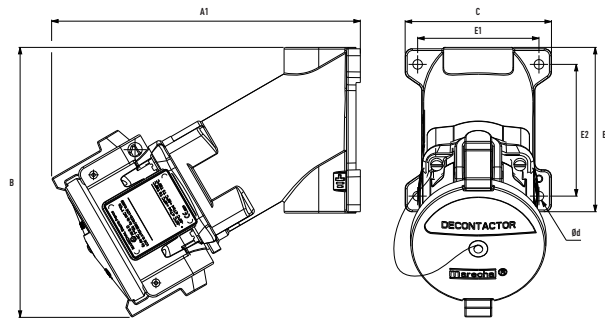


DIMENSIONS

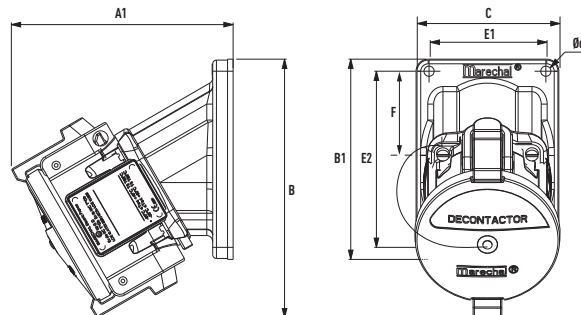


	A1	B
DXA1	170	79

	A	B	C	C1
DXA1	185	103	69	78



	A1	B	B1	C	E1	E2	Ød*
DXA1	178	156	95	84	70	76	5,5



	A1	B	B1	C	E1	E2	F	Ød*	ØD max
DXA1	120	140	108	77	63	95	37	5,5	60

*Ød : maximum drilling diameter.

DX



DECONTACTOR™ METAL



20 A/32 A/63 A/125 A/200 A

- ▶ II 2 G D Ex de IIC, tD A21
- ▶ IP65 water-and dust-tight
- ▶ Integrated load-break switch
- ▶ Locking in connected or disconnected position by keying axis

TECHNICAL FEATURES

	DX1	DX3	DX6	DX9	DX2
Rated current (In)	20 A	32 A	63 A	125 A	200 A
Umax	750 V	750 V	750 V	750 V	750 V
Keying positions	24	24	23	23	23
Ambient temperature	<<< -25 °C ≤ Ta ≤ +60 °C >>>		<<< -40 °C ≤ Ta ≤ +60 °C >>>		
Protection mode	<<< «de» and «tD A21» >>>				
ATEX zones	<<< Zones 1 & 2 (gas) Zones 21 & 22 (dusts) >>>				

MECHANICAL FEATURES

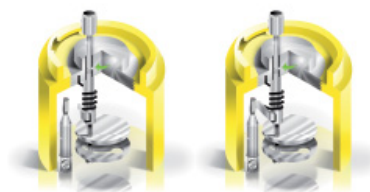
- Enclosure "d": during connection and disconnection, electric arc is contained and cannot reach the outside of the enclosure.



Interior moulding in the stand-by position: Cut view of the explosion-proof chamber.

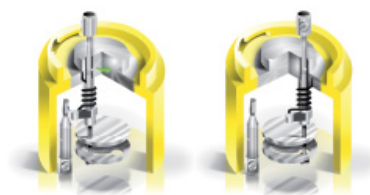
Connection:

Socket-outlet with a plug contact engaged: Closing of the dead butt-contact(s); unlocking of the interior moulding.



Plug rotation:
Pressure on the springs.
Switch contacts close immediately.

- Aluminium corrosion-free casing
- IK10 shock resistance
- External male contacts: these pins engage with the spring-loaded silver-nickel butt contacts inside the socket
- IP65 lid
- ON/OFF indicator
- Design ensures compliance with interlock standard EN 60309-4 : no live contacts.

**Disconnection:**

Reversed rotation of the plug:
The switch contacts open immediately. Return of the plug to its "off" stand-by position.

**DX DECONTACTOR™ complies with:**

- The ATEX 2014/35/EU Directive,
- IEC/EN 60079-0, IEC/EN 60079-1, IEC/EN 60079-7 and IEC/EN 60079-31 international standards
- The essential safety requirements of IEC 60309-1 & IEC 60309-4 international and European standards (plugs and socket-outlets for industrial purposes),
- The French NF C 15-100 standard,
- The European 'Machine Directive' 2006/42/CE regarding equipment isolation,
- The French decree dated 20 December 2011 pertaining to the wiring and operating conditions of movable electrical apparatuses,
- The decrees relating to workers' protection in Belgium, Spain and Italy,

Also certified by NANIO (TR CU EAC) and LCIE (ATEX and IECEx, Russian and French European and international notified bodies).



WALL MOUNTING SOCKET DX1



Wall box 90°
262AB53



Socket-outlet
2624017

PLUG DX1



Plug
2621017

MAIN FEATURES

Rated current (with wiring according to standard)	20 A	Flexible wiring (min-max)	2,5-10 mm ²
Maximum voltage	750 V	Stranded wiring (min-max)	2,5-10 mm ²
IP protection lid closed	IP65	Other wiring	on request
IP protection plug connected	IP65	Keying positions	24
Shock resistance	IK10	Protection mode	de, tD A21
Ambient temperature	-25 °C to +60 °C	ATEX zones	1 & 2, 21 & 22

SOCKET-OUTLET female DX1 (20 A)



INCLINED appliance inlet DX1 (20 A)



PLUG male DX1 (20 A)



Each socket outlet or inlet must be associated with a box, a sleeve or a handle.

Voltage	Contact configuration	Socket-outlet female DX1 (20 A)	Inclined appliance inlet DX1 (20 A)	Plug male DX1 (20 A)
220-250 V AC	1P+N+E	2624015	2626015	2621015
380-440 V AC	3P+E	2624013	2626013	2621013
380-440 V AC	3P+N+E	2624017	2626017	2621017

► Other voltages, frequencies and contact configurations are available (see page 10).

BOXES Ex metal CABLE GLAND INCLUDED*



Cable gland entry	Wall box metal 90°
M20	262AB53 8-13 mm
M25	262AB5325M 9-16 mm
M32	262AB5332M 12-21 mm

* For alternatives with Earth continuity, please contact us

HANDLES Ex metal CABLE GLAND INCLUDED



Cable gland entry	Straight handle metal
M20	262A963 8-13 mm
M25	262A95325M 9-16 mm
M32	262A95332M 12-21 mm

MARECHAL ELECTRIC FRANCE

Ex II 2 G D	Ex de IIC	tD A21
-25 °C ≤ Ta ≤ +60 °C	T5	T84 °C
-25 °C ≤ Ta ≤ +50 °C	T6	T74 °C
IECEx LCI 09.0014/LCIE 05 ATEX 6127		


**WALL MOUNTING
SOCKET DX3**

Wall box 90°
263AB53

Socket-outlet
2634017

PLUG DX3

Plug
2631017

MAIN FEATURES

Rated current (with wiring according to standard)	32 A	Flexible wiring (min-max)	2,5-10 mm ²
Maximum voltage	750 V	Stranded wiring (min-max)	2,5-10 mm ²
IP protection lid closed	IP65	Other wiring	on request
IP protection plug connected	IP65	Keying positions	24
Shock resistance	IK10	Protection mode	de, tD A21
Ambient temperature	-25 °C to +60 °C	ATEX zones	1 & 2, 21 & 22

**SOCKET-OUTLET
female
DX3 (32 A)**

**INCLINED
appliance inlet
DX3 (32 A)**

**PLUG
male
DX3 (32 A)**


Each socket outlet or inlet must be associated with a box, a sleeve or a handle.

220-250 V AC	1P+N+E	2634015	2636015	9-16 mm	2631015
380-440 V AC	3P+E	2634013	2636013	9-16 mm	2631013
380-440 V AC	3P+N+E	2634017	2636017	9-16 mm	2631017

► Other voltages, frequencies and contact configurations are available (see page 10).

BOXES

Ex metal cable gland included*



Cable gland entry	Wall box metal 90°	
M20	263AB5320M	8-13 mm
M25	263AB53	9-16 mm
M32	263AB5332M	12-21 mm

* For alternatives with Earth continuity, please contact us

HANDLES

Ex metal cable gland included



Cable gland entry	Straight handle metal	
M20	263A95320M	8-13 mm
M25	263A963	9-16 mm
M32	263A95332M	12-21 mm

MARECHAL ELECTRIC FRANCE

II 2 G D	Ex de IIC	tD A21
-25 °C ≤ Ta ≤ +60 °C	T5	T84 °C
-25 °C ≤ Ta ≤ +50 °C	T6	T74 °C
IECEX LCI 09.0014/LCIE 05 ATEX 6127		



WALL MOUNTING SOCKET DX6



Wall box 90°
266AB53



Socket-outlet
2664017

PLUG DX6



Plug
2661017

MAIN FEATURES

Rated current (with wiring according to standard)	63 A	Flexible wiring (min-max)	16-35 mm ²
Maximum voltage	750 V	Stranded wiring (min-max)	16-50 mm ²
IP protection lid closed	IP65	Other wiring	on request
IP protection plug connected	IP65/IP66	Keying positions	23
Shock resistance	IK10	Protection mode	de, tD A21
Ambient temperature	-40 °C to +60 °C	ATEX zones	1 & 2, 21 & 22

SOCKET-OUTLET female DX6 (63 A)



INCLINED appliance inlet DX6 (63 A)



PLUG male DX6 (63 A)



Each socket outlet or inlet must be associated with a box, a sleeve or a handle.

Voltage	Configuration	Socket-outlet female	Inclined inlet	Plug male	Socket-outlet female
220-250 V AC	1P+N+E	2664015	2666015	12-21 mm	2661015
380-440 V AC	3P+E	2664013	2666013	12-21 mm	2661013
380-440 V AC	3P+N+E	2664017	2666017	12-21 mm	2661017

► Other voltages, frequencies and contact configurations are available (see page 10).

BOXES

Ex metal cable gland included*



Cable gland entry	Wall box metal 90°	
M25	266AB5325M	9-16 mm
M32	266AB53	12-21 mm
M40	266AB5340M	16-27 mm

* For alternatives with Earth continuity, please contact us

HANDLES

Ex metal cable gland included



Cable gland entry	Straight handle metal	
M25	266A95325M	9-16 mm
M32	266A963	12-21 mm
M40	266A95340M	16-27 mm

MARECHAL ELECTRIC FRANCE

II2 G D	Ex de IIC	tD A21
-40 °C ≤ Ta ≤ +60 °C	T5	T90 °C
-40 °C ≤ Ta ≤ +50 °C	T6	T80 °C
IECEX LCI 09.0015/LCIE 04 ATEX 6038		


**WALL MOUNTING
SOCKET DX9**

Wall box 90°
269AB53

Socket-outlet
2694017

PLUG DX9

Plug
2691017

MAIN FEATURES

Rated current (with wiring according to standard)	125 A	Flexible wiring (min-max)	35-50 mm ²
Maximum voltage	750 V	Stranded wiring (min-max)	50-70 mm ²
IP protection lid closed	IP65	Other wiring	on request
IP protection plug connected	IP65/IP66	Keying positions	23
Shock resistance	IK10	Protection mode	de, tD A21
Ambient temperature	-40 °C to +60 °C	ATEX zones	1 & 2, 21 & 22

SOCKET-OUTLET
female
DX9 (125 A)

INCLINED
appliance inlet
DX9 (125 A)

PLUG
male
DX9 (125 A)


Each socket outlet or inlet must be associated with a box, a sleeve or a handle.

380-440 V AC	3P+E	2694013	2696013	16-27 mm	2691013
				23-35 mm	269101350M
				36-48 mm	269101363M
380-440 V AC	3P+N+E	2694017	2696017	16-27 mm	2691017
				23-35 mm	269101750M
				36-48 mm	269101763M

► Other voltages, frequencies and contact configurations are available (see page 10).

BOXES

Ex metal cable gland included*



Cable gland entry	Wall box metal 90°	
M32	269AB5332M	12-21 mm
M40	269AB53	16-27 mm
M50	269AB5350M	23-35 mm
M63	269AB5363M	36-48 mm

* For alternatives with Earth continuity, please contact us

HANDLES

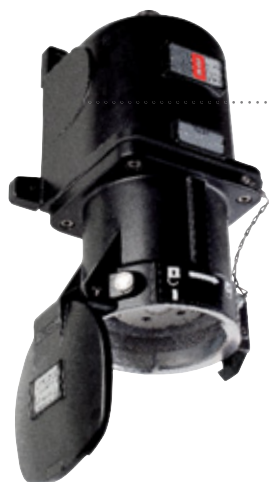
Ex metal cable gland included



Cable gland entry	Straight handle metal	
M32	269A95332M	12-21 mm
M40	269A963	16-27 mm
M50	269A95350M	23-35 mm
M63	269A95363M	36-48 mm

MARECHAL ELECTRIC FRANCE

	Ex de IIC	tD A21
-40 °C ≤ Ta ≤ +60 °C	T5	T90 °C
-40 °C ≤ Ta ≤ +50 °C	T6	T80 °C
IECEX LCI 09.0015/LCIE 04 ATEX 6038		



WALL MOUNTING SOCKET DX2



Wall box 90°
267AB53



Socket-outlet
2674017

PLUG DX2



Plug
2671017

MAIN FEATURES

Rated current (with wiring according to standard)	200 A	Flexible wiring	50 mm ²
Maximum voltage	750 V	Stranded wiring	70 mm ²
IP protection lid closed	IP65	Other wiring	on request
IP protection plug connected	IP65/IP66	Keying positions	23
Shock resistance	IK10	Protection mode	de, tD A21
Ambient temperature	-40 °C to +60 °C	ATEX zones	1 & 2, 21 & 22

SOCKET-OUTLET female DX2 (200 A)



INCLINED appliance inlet DX2 (200 A)



PLUG male DX2 (200 A)



Each socket outlet or inlet must be associated with a box, a sleeve or a handle.

380-440 V AC	3P+E	2674013	2676013	36-48 mm	2671013
380-440 V AC	3P+N+E	2674017	2676017	36-48 mm	2671017

► Other voltages, frequencies and contact configurations are available (see page 10).

BOXES

Ex metal cable gland included*



Cable gland entry	Wall box metal 90°
M63	267AB53 36-48 mm

* For alternatives with Earth continuity, please contact us

HANDLES

Ex metal cable gland included



Cable gland entry	Straight handle metal
M63	267A963 36-48 mm

MARECHAL ELECTRIC FRANCE

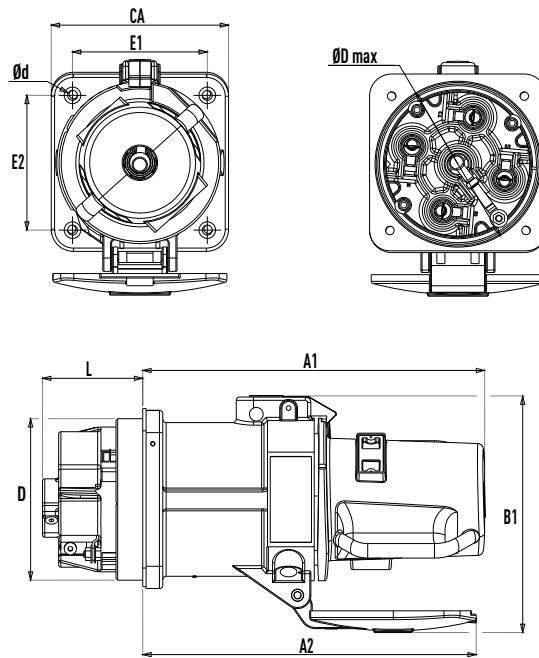
II 2 G D Ex de IIC tD A21
-40 °C ≤ Ta ≤ +60 °C T3 T91 °C
IECEX LCI 09.0015/LCIE 04 ATEX 6038



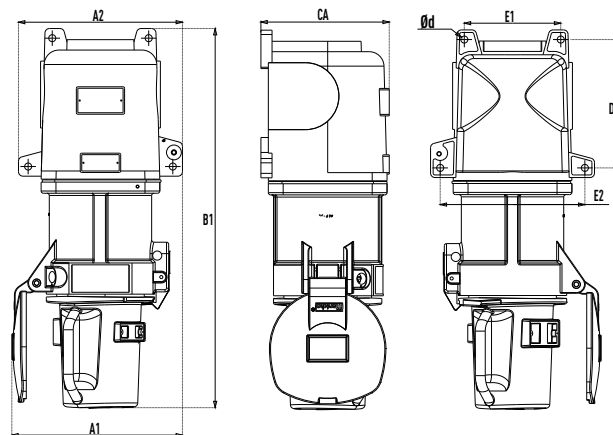


DIMENSIONS

DX1/DX3/DX6/DX9/DX2



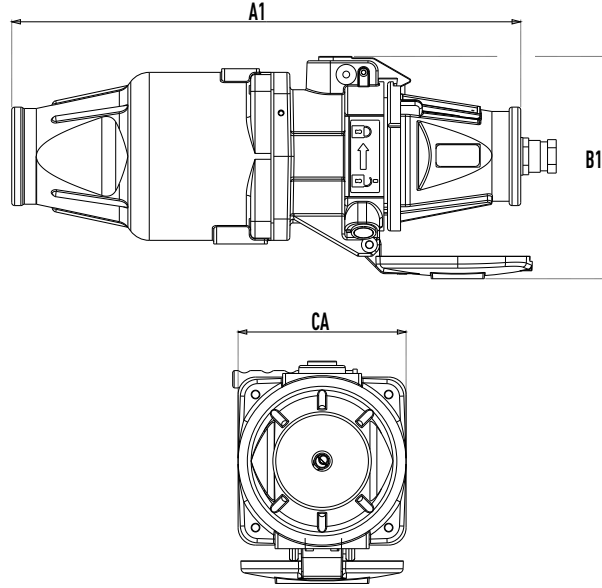
	A1	A2	B1	CA	D	E1	E2	L	Ød*	ØD max
DX1/DX3	173	181	154	116	116	92	92	59	5,7	108
DX6/DX9/DX2	307	300	212	160	145	122	122	90	9	150



	A1	A2	B1	CA	D	E1	E2	Ød*
DX1/DX3	168	167	324	129	118	90	145	9,5
DX6/DX9/DX2	230	221	511	173	173	130	195	9,5

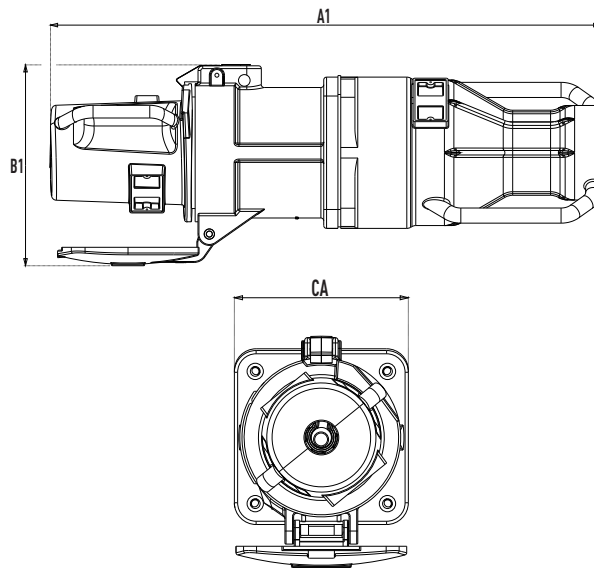
*Ød : maximum drilling diameter.

DX1/DX3



	A1	B1	CA
DX1/DX3	351,5	153,5	116

DX6/DX9/DX2



	A1	B1	CA
DX6/DX9/DX2	582	212	160

*Ød : maximum drilling diameter.