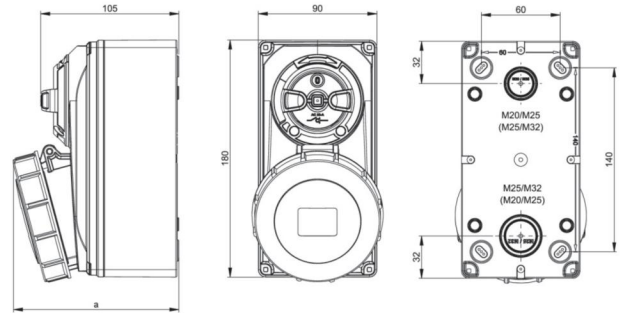


|                        |   |
|------------------------|---|
| article#               | <b>61232-6</b>  |
| article description    | <b>CEE-switched interlocked socket compact 32A 3p 6h IP66/IP67</b>  |
| description long       | CEE-switched interlocked socket compact 32A 3p 6h IP66/IP67<br>housing material: PA6 + PC/ABS<br>rated current: 32A<br>number of poles: 3 (2P+PE)<br>clock-position: 6h<br>rated voltage/frequency: 200-250V~ / 50+60Hz<br>contacts: brass nickel plated<br>connection technology: screw terminals<br>wall mounting, mechanical interlock<br>switch: ON/OFF PCE-Merz ML0; EN 60947-3; AC22A, 10kA<br>IP protection class: IP66/IP67 |
| GTIN (EAN)             | 9003399174834   |
| country of origin      | AT  |
| customs number         | 85366990  |
| net weight             | 0.668 kg  |
| packaging quantity     | 1   |
| minimum order quantity | 1   |

|                                 |                       |
|---------------------------------|-----------------------|
| ETIM 9.0                        | EC001324              |
| IEC-amperage                    | 32 A                  |
| Number of poles                 | 3                     |
| Voltage according to EN 60309-2 | 230 V (50+60 Hz) blue |
| Clock hour position             | 6 h                   |
| Identification colour           | Blue                  |
| Degree of protection (IP)       | IP67                  |
| Switch                          | Mechanical locking    |
| Material housing                | Plastic               |
| Model                           | Base unit and cover   |
| Contact material                | CuZn                  |
| Surface treatment contacts      | Nickel-plated         |

|                        |                        |
|------------------------|------------------------|
| a                      | 124 mm                 |
| wire flexible          | 2,5-6 mm <sup>2</sup>  |
| wire solid             | 2,5-10 mm <sup>2</sup> |
| contact screws         | 120 Ncm                |
| housing screws         | 110 Ncm                |
| ambient temperature    | -25 – 40 °C            |
| temperature resistance | -25 – 80 °C            |







<https://www.pcelectric.at/shop/en/?func=detail&artnr=61232-6>