

Plug ProTOP®
Part no. 150ZA

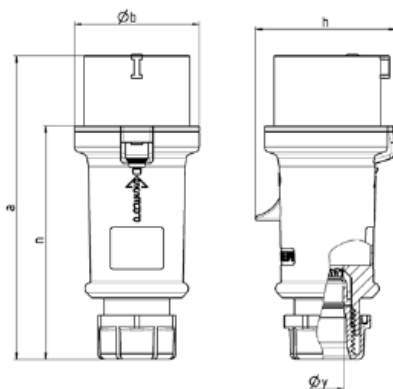


- screw terminals
- cable gland and sealing
- strain relief and protection against kinking
- enclosure with thread lock and safety slide

Technical specifications

Ampere	16 A
Poles	3 p
Voltage	230 V
Clock position	6 h
Hertz	50-60 Hz
Connection technology	Screw terminals
Contact	Standard
Protection type	IP 44
Weight	135 g

Drawing



Drawing	Amp. Poles	16			32		
		3	4	5	3	4	5
2 MB 214							
Dim. in mm	a	148	160	160	197	197	197
	b	55	65.6	65.6	75	75	75
	h	61	72.5	72.5	80.5	80.5	85
	n	112	123.5	123.5	152	152	152
	y	14.5	16	16	22	22	22
Terminal for cond. cross		1	1	1	2.5	2.5	2.5
section (mm ²) min.-max.		—2.5	—2.5	—2.5	—6	—6	—6